

SECTION VI PARTS LIST

ITEM	CIRCUIT FUNCTION	DESCRIPTION	COLLINS PART NO.
B501	Blower		541 2293 004
C101	RF filter for audio input	CAPACITOR: mica; 47 uuf p/m 10%; 500 wv	912 0471 00
C102	V101A plate equalizer	CAPACITOR: mica; 510 uuf p/m 10%; 300 wv	912 0546 00
C103	V101B grid coupling	CAPACITOR: ceramic; 0.0022 uuf ±10% 400 vdcw	931 0281 00
C104		CAPACITOR: electrolytic; 3 sect; 15, 15 and 10 uf minus 10% plus 50%; 450 v	183 1091 00
C104A	V101A plate decoupling	p/o C-104	
C104B	B plus bypass	p/o C-104	
C104C	V102A plate bypass	p/o C-104	
C105	V103A grid coupling	CAPACITOR: same as C103	931 0281 00
C106	V102A cathode output	CAPACITOR: paper; 0.5 uuf minus 10% plus 20%; 600 wv	931 0205 00
C107	Mechanical filter input tuning	CAPACITOR: mica; 220 uuf p/m 2%; 500 wv	912 0517 00
C108	Mechanical filter output tuning	CAPACITOR, fixed: mica; 91 uuf p/m 2%; 500 dc working v	912 0490 00
C109	Modulator divider	CAPACITOR: ceramic; 10,000 uuf; 500 wv	913 1188 00
C110	Modulator divider	CAPACITOR: ceramic; 10,000 uuf; 500 wv	913 1188 00
C111	V101B plate equalizer	CAPACITOR: mica; 510 uuf p/m 10%; 300 wv	912 0546 00
C112	Carrier balance	CAPACITOR, variable: ceramic; 5.0 to 37.5 uuf; 350 dc working v	917 1073 00
C113	V107A plate coupling	CAPACITOR: paper; 0.01 uf p/m 10%; 400 wv	931 0289 00

ITEM	CIRCUIT FUNCTION	DESCRIPTION	COLLINS PART NO.
C114	V107A cathode filter	CAPACITOR: paper; 0.2 uuf minus 10% plus 20%; 200 wv	931 0167 00
C115	V107B cathode coupling	CAPACITOR: paper; 0.01 uf p/m 10%; 400 wv	931 0289 00
C116	V107B plate filter	CAPACITOR: paper; 0.5 uuf minus 10% plus 20%; 200 wv	931 0169 00
C117	Carrier level output coupling	CAPACITOR: ceramic; 1,000 uuf; 500 wv	913 1186 00
C118	V102A grid filter	CAPACITOR: mica; 100 uuf p/m 10%; 500 wv	912 0495 00
C119	V104B plate bypass	CAPACITOR: ceramic; 10,000 uuf; 500 wv	913 1188 00
C120	V104 plate feedback	CAPACITOR: mica; 470 uuf p/m 10%; 300 wv	912 0543 00
C121	V104 plate bypass	CAPACITOR: mica; 100 uuf p/m 10%; 500 wv	912 0495 00
C122	V102B plate filter	CAPACITOR: paper; 0.001 uf p/m 10%; 400 vdcw	931 0277 00
C123		Not used	
C124	V102A grid decoupler	CAPACITOR: ceramic; 10,000 uuf; 500 wv	913 1188 00
C125	Mechanical filter coupling	CAPACITOR: mica; 220 uuf p/m 2%; 500 wv	912 0517 00
C126		Not used	
C127	Keying filter network	CAPACITOR: paper, 0.1 uf p/m 10%; 150 wv	931 0333 00
C128	V104B cathode coupling	CAPACITOR, fixed: ceramic; 1000 uuf guaranteed min; 500 dc working v	913 1186 00
C129	Keying filter network	CAPACITOR: ceramic; 10,000 uuf; 500 wv	913 1188 00
C130	V104B grid coupling	CAPACITOR: ceramic; 27 uuf p/m 10%; 500 wv	912 0453 00
C131	V104B grid bypass	CAPACITOR: mica; 180 uuf p/m 10%; 500 wv	912 0513 00
C132	V102A grid coupling	CAPACITOR: ceramic; 10,000 uuf; 500 wv	913 1188 00
C133	V102A cathode divider	CAPACITOR: ceramic; 10,000 uuf; 500 wv	913 1188 00

Section VI
C-134 - C-214

ITEM	CIRCUIT FUNCTION	DESCRIPTION	COLLINS PART NO.
C134	Keying filter network	CAPACITOR: paper 0.1 uf ±10%; 150 wv	931 0333 00
C135	Carrier level coupler	CAPACITOR: mica; 75 uuf p/m 10%; 250 wv	912 0486 00
C136	Modulator loading	CAPACITOR, fixed: mica; 39 uuf ±2%; 500 dc working v	912 0463 00
C137	V104B plus bypass	CAPACITOR: ceramic; 10,000 uuf; 500 wv	913 1188 00
C201	V201 plate decoupler	CAPACITOR: ceramic; 10,000 uuf; 500 wv	913 1188 00
C202	Trimmer for L201	CAPACITOR: variable; 8.0 to 75.0 uuf; 350 wv	917 1075 00
C203	V201 voltage divider	CAPACITOR: mica; 240 uuf p/m 2%; 500 wv	912 0520 00
C204		Not used	
C205	V202 grid decoupler	CAPACITOR: ceramic; 10,000 uuf; 500 wv	913 1188 00
C206	Padder for L203	CAPACITOR: mica; 200 uuf p/m 2%; 500 wv	912 0516 00
C207	Trimmer for L203	CAPACITOR: variable; 8.0 to 75.0 uuf; 350 wv	917 1075 00
C208	V202 grid coupling	CAPACITOR: ceramic; 2.0 uuf p/m 1/4 mmf; 500 wv	916 0075 00
C209	V202 cathode bypass	CAPACITOR: ceramic; 10,000 uuf; 500 wv	913 1188 00
C210	V202 screen bypass	CAPACITOR: ceramic; 10,000 uuf; 500 wv	913 1188 00
C211	Trimmer for L204	CAPACITOR: variable; 8.0 to 75.0 uuf; 350 wv	917 1075 00
C212	Padder for L204	CAPACITOR, fixed: mica; 220 uuf p/m 2%; 500 dc working v	912 0517 00
C213	V202 plate decoupling	CAPACITOR: ceramic; 10,000 uuf; 500 wv	913 1188 00
C214	B plus bypass	CAPACITOR: ceramic; 10,000 uuf; 500 wv	913 1188 00

ITEM	CIRCUIT FUNCTION	DESCRIPTION	COLLINS PART NO.
C215	V203 grid decoupling	CAPACITOR: ceramic; 10,000 uuf; 500 wv	913 1188 00
C216	Padder for L206	CAPACITOR: mica; 200 uuf p/m 10%; 500 vdw	912 0516 00
C217	Trimmer for L206	CAPACITOR: variable; 8.0 to 75.0 uuf; 350 wv	917 1075 00
C218	V203 grid coupling	CAPACITOR: ceramic; 2.0 uuf p/m 1/4 mmf; 500 wv	916 0075 00
C219	V203 cathode bypass	CAPACITOR: ceramic; 10,000 uuf; 500 wv	913 1188 00
C220	V203 screen bypass	CAPACITOR: ceramic; 10,000 uuf; 500 wv	913 1188 00
C221	Trimmer for L207	CAPACITOR: variable; 8.0 to 75.0 uuf; 350 wv	917 1075 00
C222	Padder for L207	CAPACITOR: mica; 150 uuf; p/m 2%; 500 wv	912 0505 00
C223		Not used	
C224	B plus bypass	CAPACITOR: ceramic; 10,000 uuf; 500 wv	913 1188 00
C225	ALC circuit filter	CAPACITOR: ceramic; 1000 uuf minus 20% plus 80%; 500 wv	913 1292 00
C226	ALC circuit filter	CAPACITOR: ceramic; 1000 uuf minus 20% plus 80%; 500 wv	913 1292 00
C227	Key line filter	CAPACITOR: ceramic; 1000 uuf minus 20% plus 80%; 500 wv	913 1292 00
C228	Filament line filter	CAPACITOR: ceramic; 1000 uuf minus 20% plus 80%; 500 wv	913 1292 00
C229	V201 plate trap	CAPACITOR: variable; 8.0 to 75.0 uuf 350 wv	917 1075 00
C230	V201 voltage divider	CAPACITOR: mica; 430 uuf p/m 2%; 300 wv	912 0538 00
C231	Padder for L201	CAPACITOR: mica; 39 uuf p/m 10%; 500 wv	912 0465 00
C232	V204 grid coupling	CAPACITOR, fixed: mica; 62 uuf p/m 2%; 500 dc working v	912 0478 00

ITEM	CIRCUIT FUNCTION	DESCRIPTION	COLLINS PART NO.
C233	V208 cathode	CAPACITOR: mica; 150 uuf p/m 2%; 500 wv	912 0505 00
C234	V208 feedback	CAPACITOR: mica; 15 uuf p/m 5%; 500 wv	912 0437 00
C235	V208 screen bypass	CAPACITOR: ceramic; 10,000 uuf; 500 wv	913 1188 00
C236	V204 grid filter	CAPACITOR: mica; 510 uuf p/m 10%; 300 wv	912 0546 00
C237	Neutralizer padder	CAPACITOR: mica; 33 uuf p/m 10%; 500 wv	912 0459 00
C238	Padder for L214	CAPACITOR: mica; 10 uuf p/m 5%; 500 wv	912 0431 00
C239	V209 grid coupling	CAPACITOR: mica; 10 uuf p/m 5%; 500 wv	912 0431 00
C240	Padder for L215	CAPACITOR: mica; 20 uuf p/m 5%; 500 wv	912 0443 00
C241	Padder for L216	CAPACITOR: mica; 75 uuf p/m 2%; 500 wv	912 0484 00
C242	Padder for L217	CAPACITOR: mica; 220 uuf p/m 2%; 500 wv	912 0517 00
C243	B plus bypass	CAPACITOR: ceramic; 10,000 uuf; 500 wv	913 1188 00
C244	V204 grid coupling	CAPACITOR: ceramic; 5.0 uuf p/m 10%; 500 wv	916 0429 00
C245	V204 plate decoupling	CAPACITOR: ceramic; 10,000 uuf; 500 wv	913 1188 00
C246	B plus bypass	CAPACITOR: ceramic; 10,000 uuf; 500 wv	913 1188 00
C247	40 M padder for L223	CAPACITOR: mica; 82 uuf p/m 10%; 500 wv	912 0489 00
C248	40 M trimmer for L223	CAPACITOR: variable; 8.0 to 75.0 uuf; 350 wv	917 1075 00
C249	8 MC trap tuning	CAPACITOR: variable; 5.0 to 37.5 uuf; 350 wv	917 1073 00
C250	20 M trimmer for L218	CAPACITOR: variable; 8.0 to 75.0 uuf; 350 wv	917 1075 00

ITEM	CIRCUIT FUNCTION	DESCRIPTION	COLLINS PART NO.
C251	Padder for L213	CAPACITOR: mica; 5 uuf p/m 10%; 500 wv	912 0429 00
C252	15 M trimmer for L219	CAPACITOR: variable; 8.0 to 75.0 uuf; 350 wv	917 1075 00
C253	80 meter trap resonating	CAPACITOR: ceramic; 36 uuf p/m 2%; 500 wv	916 0460 00
C254	11 meter trimmer for L221	CAPACITOR: variable; 5.0 to 37.5 uuf; 350 wv	917 1073 00
C255	10 M trimmer for L221	CAPACITOR: variable; 3.0 to 18.0 uuf; 350 wv	917 1072 00
C256	10 M trimmer for L221	CAPACITOR: variable; 3.0 to 18.0 uuf; 350 wv	917 1072 00
C257	10 meter trimmer for L227	CAPACITOR: variable; 3.0 to 18.0 uuf; 350 wv	917 1072 00
C258	V205 grid coupling	CAPACITOR: mica; 470 uuf p/m 2%; 300 wv	912 0541 00
C259	V209 plate decoupling	CAPACITOR: ceramic; 10,000 uuf; 500 wv	913 1188 00
C260	V209 screen bypass	CAPACITOR: ceramic; 10,000 uuf; 500 wv	913 1188 00
C261	V209 cathode bypass	CAPACITOR: ceramic; 10,000 uuf; 500 wv	913 1188 00
C262	V208 plate blocking	CAPACITOR: ceramic; 10,000 uuf; 500 wv	913 1188 00
C263	V203 screen decoupling	CAPACITOR: ceramic; 10,000 uuf; 500 wv	913 1188 00
C264		CAPACITOR: Not Used	
C265	10 M trimmer for L234	CAPACITOR: variable; 3.0 to 18.0 uuf; 350 wv	917 1072 00
C266	11 M trimmer for L234	CAPACITOR: variable; 5.0 to 37.5 uuf; 350 wv	917 1073 00
C267	15 M trimmer for L236	CAPACITOR: variable; 8.0 to 75.0 uuf; 350 wv	917 1075 00
C268	L207 bypass and voltage divider	CAPACITOR: mica; 20 uuf p/m 10%; 500 wv	912 0444 00

Section VI
C-269 - C-292

ITEM	CIRCUIT FUNCTION	DESCRIPTION	COLLINS PART NO.
C269	20 M trimmer for L237	CAPACITOR: variable; 8.0 to 75.0 uuf; 350 wv	917 1075 00
C270	V205 plate decoupler	CAPACITOR: ceramic; 10,000 uuf; 500 wv	913 1188 00
C271	40 meter padder for L231	CAPACITOR: mica; 68 uuf p/m 2%; 500 wv	912 0481 00
C272	40 meter trimmer for L231	CAPACITOR: variable; 8.0 to 75.0 uuf; 350 wv	917 1075 00
C273	V205 plate decoupling	CAPACITOR: mica; 100 uuf p/m 2%; 500 wv	912 0493 00
C274		Not used	
C275	V205 plate blocking	CAPACITOR: mica; 100 uuf p/m 2%; 500 wv	912 0493 00
C276		Not used	
C277	Driver neutralizer voltage divider	CAPACITOR: ceramic; 1.5 uuf p/m 1/4 mmf; 500 wv	916 0072 00
C278	Driver screen bypass	CAPACITOR: ceramic; 10,000 uuf; 500 wv	913 1188 00
C279	B plus bypass	CAPACITOR: ceramic; 10,000 uuf; 500 wv	913 1188 00
C280		Not used	
C281	Driver neutralizer voltage divider	CAPACITOR: mica; 5 uuf p/m 10%; 500 wv	912 0429 00
C282		Not used	
C283	Driver grid plate neutralizer	CAPACITOR: variable; 5.0 to 37.5 uuf; 350 wv	917 1073 00
C284 thru C289		Not used	
C290	B plus RF filter	CAPACITOR: ceramic; 1000 uuf minus 20% plus 80%; 500 wv	913 1292 00
C291	Filament line filter	CAPACITOR: ceramic; 1000 uuf minus 20% plus 80%; 500 wv	913 1292 00
C292	Filament line filter	CAPACITOR: ceramic; 1000 uuf minus 20% plus 80%; 500 wv	913 1292 00

ITEM	CIRCUIT FUNCTION	DESCRIPTION	COLLINS PART NO.
C293	V203 plate blocking	CAPACITOR: mica; 100 uuf p/m 2%; 500 wv	912 0493 00
C294	B plus RF filter	CAPACITOR: ceramic; 1000 uuf minus 20% plus 80%; 500 wv	913 1292 00
C295	V205 cathode bypass	CAPACITOR: ceramic; 10,000 uuf 500 wv	913 1188 00
C296	V205 screen bypass	CAPACITOR: ceramic; 10,000 uuf; 500 wv	913 1188 00
C297	V202 ALC filter	CAPACITOR: ceramic; 1000 uuf minus 20% plus 80%; 500 wv	913 1292 00
C298	PA neut voltage divider	CAPACITOR: ceramic; 1000 uuf minus 20% plus 80%; 500 wv	913 1292 00
C299	Key line filter	CAPACITOR: ceramic; 1000 uuf minus 20% plus 80%; 500 wv	913 1292 00
C300	B plus RF filter	CAPACITOR: ceramic; 1000 uuf minus 20% plus 80%; 500 wv	913 1292 00
C301	10 M trimmer for L227	CAPACITOR: variable; 3.0 to 18.0 uuf; 350 wv	917 1072 00
C302	11 meter trimmer for L227	CAPACITOR: variable; 5.0 to 37.5 uuf 350 wv	917 1073 00
C303	B plus bypass	CAPACITOR: paper; .033 uuf p/m 10%; 400 wv	931 0293 00
C304	15 M trimmer for L229	CAPACITOR: variable; 8.0 to 75.0 uuf; 350 wv	917 1075 00
C305	Driver plate blocking	CAPACITOR: mica; 510 uuf p/m 10%; 300 wv	912 0546 00
C306	20 M trimmer for L230	CAPACITOR: variable; 8.0 to 75.0 uuf; 350 wv	917 1075 00
C308	40 M trimmer for L225	CAPACITOR: variable; 8.0 to 75.0 uuf; 350 wv	917 1075 00
C309	40 M padder for L225	CAPACITOR: mica; 82 uuf p/m 10%; 500 wv	912 0489 00
C310	Driver grid load blocking	CAPACITOR: ceramic; 10,000 uuf 500 wv	913 1188 00
C312	V-208 plate decoupling	CAPACITOR: ceramic; 10,000 uuf 500 wv	913 1188 00

ITEM	CIRCUIT FUNCTION	DESCRIPTION	COLLINS PART NO.
C313	J102 RF filter	CAPACITOR: ceramic; 1000 uuf +80% -20%, 500 wv	913 1292 00
C314	RF Bypass	CAPACITOR: ceramic; 10,000 uuf; 500 wv	913 1188 00
C315		NOT USED	
C316		Not used	
C317	J201 blocking	CAPACITOR: mica; 5 uuf p/m 10%; 500 wv	912 0429 00
C318	J207 blocking	CAPACITOR: mica; 5 uuf p/m 10%; 500 wv	912 0429 00
C319	V-206 screen bypass	CAPACITOR: ceramic; 10,000 uuf; 500 wv	913 1188 00
C320	V-206 screen bypass	CAPACITOR: ceramic; 10,000 uuf; 500 wv	913 1188 00
C321	V-207 screen bypass	CAPACITOR: ceramic; 10,000 uuf; 500 wv	913 1188 00
C322	80 M neutralizing cap	CAPACITOR: variable; 8.0 to 75.0 uuf; 350 wv	917 1075 00
C323	V-201 grid return bypass	CAPACITOR: mica; 510 uuf p/m 10%; 300 wv	912 0546 00
C324	ALC time constant	CAPACITOR: .47 uf ±20%; 100 wv	931 0500 00
C325	ALC time constant	CAPACITOR: paper; .0033 uf ±10%; 400 wv	931 0283 00
C328	PA bias line filter	CAPACITOR: ceramic; 1000 uuf minus 20% plus 80%; 500 wv	913 1292 00
C329	Padder for L-218	CAPACITOR: mica; 15 uuf p/m 10%; 500 wv	912 0438 00
C330	Padder for L-230	CAPACITOR: mica; 15 uuf p/m 10%; 500 wv	912 0438 00
C331	Padder for C-707	CAPACITOR: mica; 15 uuf p/m 10%; 500 wv	912 0438 00
C332	J102 rf filter	CAPACITOR: ceramic; 1000 uuf +80% -20%, 500 wv	913 1292 00
C333	J102 rf filter	CAPACITOR: ceramic; 1000 uuf +80% -20%, 500 wv	913 1292 00
C334	J102 rf filter	CAPACITOR: ceramic; 1000 uuf +80% -20%, 500 wv	913 1292 00

ITEM	CIRCUIT FUNCTION	DESCRIPTION	COLLINS PART NO.
C335	J102 rf filter	CAPACITOR: ceramic; 1000 uuf +80%, -20%, 500 wv	913 1292 00
C336	J102 rf filter	CAPACITOR: ceramic; 1000 uuf +80% -20%, 500 wv	913 1292 00
C337	J102 rf filter	CAPACITOR: ceramic; 1000 uuf +80% -20%, 500 wv	913 1292 00
C338	J103 rf filter	CAPACITOR: ceramic; 1000 uuf +80% -20%, 500 wv	913 1292 00
C339	J103 rf filter	CAPACITOR: ceramic; 1000 uuf +80% -20%, 500 wv	913 1292 00
C340	J103 rf filter	CAPACITOR: ceramic; 1000 uuf +80% -20%, 500 wv	913 1292 00
C341	J103 rf filter	CAPACITOR: ceramic; 1000 uuf +80% -20%, 500 wv	913 1292 00
C342	J103 rf filter	CAPACITOR: ceramic; 1000 uuf +80% -20%, 500 wv	913 1292 00
C343	J103 rf filter	CAPACITOR: ceramic; 1000 uuf +80% -20%, 500 wv	913 1292 00
C344	J103 rf filter	CAPACITOR: ceramic; 1000 uuf +80% -20%, 500 wv	913 1292 00
C345	J103 rf filter	CAPACITOR: ceramic; 1000 uuf +80% -20%, 500 wv	913 1292 00
C346	J103 rf filter	CAPACITOR: ceramic; 1000 uuf +80% -20%, 500 wv	913 1292 00
C347	J103 rf filter	SUPPRESSOR, electrical noise: 0.01 uf ±20%, 600 wv	241 0085 00
C348	J103 rf filter	SUPPRESSOR; electrical noise: 0.01 uf ±20%, 600 wv	241 0085 00
C349	J103 rf filter	SUPPRESSOR, electrical noise: 0.01 uf ±20%, 600 wv	241 0085 00
C350	J103 rf filter	SUPPRESSOR; electrical noise: 0.01 uf ±20%, 600 wv	241 0085 00
C351	J103 rf filter	SUPPRESSOR, electrical noise: 0.01 uf ±20%, 600 wv	241 0085 00
C402	Negative feedback capacitor	CAPACITOR: ceramic; 5 uuf p/m 10%; 5000 WV	913 0092 00

ITEM	CIRCUIT FUNCTION	DESCRIPTION	COLLINS PART NO.
C403	ALC coupling capacitor	CAPACITOR: paper; .1 uf $\pm 10\%$; 200 WV	931 0333 00
C404	V-401 screen bypass	p/o XV401A	
C405	V-402 screen bypass	p/o XV402A	
C406	PA plate blocking	CAPACITOR: ceramic; 1000 uuf p/m 20%; 5000 WV	913 0101 00
C407	PA tuning	CAPACITOR: variable, air; 23-235 uuf	540 5509 00
C408	PA loading	CAPACITOR: variable, air; 25.2-570 uuf	540 5515 00
C409	PA loading	CAPACITOR: variable air; 25.2-570 uuf	540 5515 00
C413	V403 plate stabilizing	CAPACITOR: paper; 0.1 uf p/m 10%; 150 WV	931 0333 00
C414	ALC bias line filter	CAPACITOR: ceramic; 1000 uuf minus 20% plus 80%; 500 WV	913 1292 00
C415	PA screen line filter	CAPACITOR: ceramic; 1000 uuf minus 20% plus 80%; 500 WV	913 1292 00
C416	PA plate line filter	CAPACITOR: paper; .01 uf minus 10% plus 30%; 2500 WV	241 0167 00
C417	ALC output line filter	CAPACITOR: ceramic; 1000 uuf minus 20% plus 80%; 500 WV	913 1292 00
C418	PA filament line filter	CAPACITOR: paper; 0.1 uf plus 20% minus 10%; 600 WV	241 0006 00
C419	PA filament line filter	CAPACITOR: ceramic; 10,000 uuf; 500 WV	913 1188 00
C501	L501 tuning	CAPACITOR: paper; 0.15 uf p/m 10%; 10,000 WV	930 0035 00
C502		Not used	
C503	HV filter	CAPACITOR: paper; 4 uf p/m 10%; 3000 WV	930 4340 00
C504	HV filter	CAPACITOR: paper; 4 uf p/m 10%; 3000 WV	930 4340 00
C505	Screen supply filter	CAPACITOR: electrolytic; 40 uf -15% +100%; 500 WV	183 1124 00
C506	Regulated supply stabilizer	CAPACITOR: paper; 0.022 uf p/m 10%; 400 WV	931 0291 00
C507	Bias supply filter	CAPACITOR: electrolytic; 10 uf +50% -10%; 450 WV	183 1085 00

ITEM	CIRCUIT FUNCTION	DESCRIPTION	COLLINS PART NO.
C508	Bias supply filter	CAPACITOR: electrolytic; 10 uf +50% -10%; 450 wv	183 1085 00
C509	LV supply filter	CAPACITOR: dry electrolytic; dual section 40 mf each section, -15% +100%; 450 dc working v	183 1009 00
C510	Antenna relay supply filter	CAPACITOR: electrolytic; 10 uf +100% -10%; 150 wv	183 1040 00
C703	80 M padder for L701	CAPACITOR: mica; 390 uuf p/m 10%; 500 wv	912 0537 00
C704	40 M padder for L703	CAPACITOR: mica; 150 uuf p/m 2%; 500 wv	912 0505 00
C707	11 M trimmer for L705	CAPACITOR: variable; 8.0 to 75.0 uuf; 350 wv	917 1075 00
C708	10 M trimmer for L705	CAPACITOR: variable; 5.0 to 37.5 uuf; 350 wv	917 1073 00
C709		CAPACITOR: Not Used	
C710	80 M trimmer for L701	CAPACITOR: variable; 8.0 to 75.0 uuf; 350 wv	917 1075 00
C711	40 M trimmer for L703	CAPACITOR: variable; 8.0 to 75.0 uuf; 350 wv	917 1075 00
C712	30 M trimmer for L702	CAPACITOR: variable; 8.0 to 75.0 uuf; 350 wv	917 1075 00
C713	15 M trimmer for L704	CAPACITOR: variable; 8.0 to 75.0 uuf; 350 wv	917 1075 00
C714	Driver cathode bypass	CAPACITOR: ceramic; 1000 uuf minus 20% plus 80%; 500 wv	913 1292 00
C715	Driver cathode neutralizer	CAPACITOR: variable; 8.0 to 75.0 uuf; 350 wv	917 1075 00
CR101	Part of balanced Mod.	CRYSTAL UNIT: rectifying; metallic; 75 peak inverse v; 1N67A	353 0147 00
CR102	Part of balanced Mod.	CRYSTAL UNIT: rectifying; metallic; 75 peak inverse v; 1N67A	353 0147 00
CR103	Part of balanced Mod.	CRYSTAL UNIT: rectifying; metallic; 75 peak inverse v; 1N67A	353 0147 00
CR104	Part of balanced Mod.	CRYSTAL UNIT: rectifying; metallic; 75 peak inverse v; 1N67A	353 0147 00
CR201	Spark Suppressor	RECTIFIER: metallic; selenium; input 130 v ac; output 50 ma	353 0153 00
CR501	Antenna relay supply rectifier	RECTIFIER: metallic; selenium; input 130 v ac, 60 cps; output 52 v dc min	353 0186 00

ITEM	CIRCUIT FUNCTION	DESCRIPTION	COLLINS PART NO.
CR701	Filament meter rectifier	CRYSTAL UNIT: rectifying; metallic; 75 peak inverse v; 1N34A	353 0103 00
CR702	Filament meter rectifier	CRYSTAL UNIT: rectifying; metallic; 75 peak inverse v; 1N34A	353 0103 00
E201	V207 grid parasitic suppressor	SUPPRESSOR: parasitic; six turns #18 AWG wire wnd on 330 ohm 1 w resistor	540 5253 00
E202	V206 grid parasitic suppressor	SUPPRESSOR: parasitic; six turns #18 AWG wire wnd on 330 ohm 1 w resistor	540 5253 00
E203	V206 plate parasitic suppressor	SUPPRESSOR: parasitic; six turns #18 AWG wire wnd on 330 ohm 1 w resistor	540 5253 00
E204	V207 plate parasitic suppressor	SUPPRESSOR: parasitic; six turns #18 AWG wire wnd on 330 ohm 1 w resistor	540 5253 00
E403	V401 parasitic suppressor	SUPPRESSOR: parasitic; two turns #18 AWG wire wnd on 47 ohm 2 w resistor	540 5641 00
E404	V402 parasitic suppressor	SUPPRESSOR: parasitic; two turns #18 AWG wire wnd on 47 ohm 2 w resistor	540 5641 00
E501	HV output post	INSULATOR: standoff; round post shape; grade L-4 ceramic	190 0024 00
E501A	HV terminal	STUD: cadmium plate, 10-32 stud, 1" long	312 3040 00
E502	Ground terminal	STUD: cadmium plate, 10-32 stud, 1" long	312 3040 00
F501	Plate transformer fuse	FUSE: cartridge; 20 amp	264 4160 00
F502	Plate and screen transformer fuse	FUSE: cartridge; 10 amp, 25 v	264 4140 00
F503	Filament and blower fuse	FUSE: cartridge; 3.2 amp, 250 v, slow blow	264 0216 00
F504	Filament LV transformer fuse	FUSE: cartridge; 3.2 amp, 250 v, slow blow	264 0216 00
F505	Screen fuse	FUSE: cartridge; 1/4 amp	264 4020 00
F506	HV plate fuse	FUSE: HV; 1 amp	264 0252 00
FL101	Sideband filter	FILTER: mech; 250 kc	522 9080 002
I101	Kilocycle dial lamp	LAMP: incandescent; 6-8 v, 0.25 amp; bulb	262 0264 00
I102	Megacycle dial lamp	LAMP: incandescent; 6.3 v, 0.15 amp; bulb	262 3240 00
I103	Megacycle dial lamp	LAMP: incandescent; 6.3 v, 0.15 amp; bulb	262 3240 00

ITEM	CIRCUIT FUNCTION	DESCRIPTION	COLLINS PART NO.
I104	Meter lamp	p/o M-201	
I501	Filament pilot lamp	BULB: LIGHT; candelabra base	262 3320 00
I502	Plate pilot lamp	BULB: LIGHT; candelabra base	262 3320 00
I701	Pilot lamp	p/o M-701	
J101	Microphone connector	CONNECTOR: receptacle; two round female contacts; straight	369 1004 00
J102	Control cable connector	CONNECTOR: receptacle; 15 round male cont; straight	372 1079 00
J103	Power cable connector	CONNECTOR: plug; 20 round male cont; straight	372 1069 00
J104	Phone patch input audio amplr V-101	JACK: phone; single round female cont	360 0088 00
J201	6CL6 plate test point	CONNECTOR: receptacle; single round female cont; straight	357 9100 00
J203	VFO injection test point	CONNECTOR: receptacle; single round female contact; straight	357 9100 00
J204	250 KC injection test point	CONNECTOR: receptacle; single round female contact; straight	357 9100 00
J205	Xtal injection test point	CONNECTOR: receptacle; single round female contact; straight	357 9100 00
J206	VIF test point	CONNECTOR: receptacle; single round female contact; straight	357 9100 00
J207	6CL6 grid test point	CONNECTOR: receptacle; single round female contact; straight	357 9100 00
J208	6CL6 cathode test point	CONNECTOR: receptacle; single round female contact; straight	357 9100 00
J401	Antenna connector jack	CONNECTOR: receptacle; single round female contact	357 9003 00
J402	PA plate voltage input jack	CONNECTOR: plug; single round male contact	372 1489 00
K101	Carrier control relay	RELAY: armature; cont arrangement, 1C, 2A, and 1B	972 1353 00
K501	Plate contactor	RELAY: power; contact rating 15 amp; noninductive at 115 v ac	401 1194 00
K502		Not Used	

Section VI
K503 - L214

ITEM	CIRCUIT FUNCTION	DESCRIPTION	COLLINS PART NO.
K503	Time delay	RELAY: thermal; contact rating 3 amp 150 v dc, 3 amp 250 v ac	402 0211 00
L102	V104 B plus choke	COIL, RADIO FREQUENCY: choke, single wound, 2.0 uh p/m 10% at 350 kc	240 0084 00
L103	V104 B plate choke	COIL, RADIO FREQUENCY: choke, single wound, 2.0 uh p/m 10% at 350 kc	240 0084 00
L104	V104 B cathode series choke	COIL, RADIO FREQUENCY: choke, single wound, 2.0 uh p/m 10% at 350 kc	240 0084 00
L105	Mod. input choke	COIL, RADIO FREQUENCY: choke, single wound, 2.0 uh p/m 10% at 350 kc	240 0084 00
L106	Mod. input choke	COIL, RADIO FREQUENCY: choke, single wound, 2.0 uh p/m 10% at 350 kc	240 0084 00
L201	V201 plate coil	COIL: 80 mh	540 5270 002
L202	B plus line filter	COIL: RADIO FREQUENCY: 139 turns of #36 AWG wire	240 0134 00
L203	V202 grid coil	COIL: 80 mh	540 5270 002
L204	V202 plate coil	COIL: 80 mh	540 5270 002
L205	B plus line filter	COIL: RADIO FREQUENCY: 139 turns of #36 AWG wire	240 0134 00
L206	V203 grid coil	COIL: 80 mh	540 5270 002
L207	V203 plate coil	COIL: 80 mh	540 5270 002
L208	V201 plate choke	COIL, RADIO FREQUENCY: 139 turns of #36 AWG wire	240 0134 00
L209	80 meter trap coil	COIL, RADIO FREQUENCY: choke; 47 uh; single layer wnd; #22 AWG enameled wire	240 0190 00
L210	B plus line filter	COIL, RADIO FREQUENCY: 139 turns of #36 AWG wire	240 0134 00
L211	V208 cathode choke	COIL, RADIO FREQUENCY: choke; 112 turns #36 nylon enameled wire	240 0073 00
L212	V208 26 mc tank	COIL, RADIO FREQUENCY: 10 turns #26 AWG enameled wire	540 5254 00
L213	V208 25 mc tank	COIL, RADIO FREQUENCY: 10 turns #26 AWG enameled wire	540 5254 00
L214	V208 23.4 mc tank	COIL, RADIO FREQUENCY: 10 turns #26 AWG enameled wire	540 5254 00

ITEM	CIRCUIT FUNCTION	DESCRIPTION	COLLINS PART NO.
L215	V208 18 mc tank	COIL: tuning; 18 mc	540 5256 00
L216	V208 11 mc tank	COIL: tuning; 18 mc	540 5256 00
L217	V208 4 mc tank	COIL, RADIO FREQUENCY: 25 turns #32 AWG enameled wire	540 5257 00
L218	V204 20 M tank	COIL, RADIO FREQUENCY: 19 turns #30 AWG enameled wire	540 5258 00
L219	V204 15 M tank	COIL, RADIO FREQUENCY: 13 turns #26 AWG enameled wire	540 5259 00
L220	8 mc trap inductor	COIL, RADIO FREQUENCY: choke; 47 uh; single layer wnd; #22 AWG enameled wire	240 0190 00
L221	V204 11 and 10 M tank	COIL, RADIO FREQUENCY: 11 turns #26 AWG enameled wire	540 5260 00
L222	V204 plate choke	COIL, RADIO FREQUENCY: 139 turns #36 AWG wire	240 0134 00
L223	V204 40 M tank	COIL, RADIO FREQUENCY: 6.58 turns #30 AWG wire	540 5271 002
L224	V209 plate choke	COIL, RADIO FREQUENCY: 139 turns #36 AWG wire	240 0134 00
L225	V209 40 M tank	COIL, RADIO FREQUENCY: 6.58 turns #30 AWG wire	540 5271 002
L226		Not used	
L227	V209 11 and 10 M tank	COIL, RADIO FREQUENCY: 11 turns #26 AWG enameled wire	540 5260 00
L228	V208 plate choke	COIL, RADIO FREQUENCY: 139 turns #36 AWG wire	240 0134 00
L229	V209 15 M tank	COIL, RADIO FREQUENCY: 13 turns #26 AWG enameled wire	540 5259 00
L230	V209 20 M tank	COIL, RADIO FREQUENCY: 19 turns #30 AWG enameled wire	540 5258 00
L231	V205 40 M tank	COIL, RADIO FREQUENCY: 6.58 turns #30 AWG wire	540 5271 002
L232	B plus line filter	COIL, RADIO FREQUENCY: 139 turns #36 AWG wire	240 0134 00
L233	V203 plate choke	COIL, RADIO FREQUENCY: 139 turns #36 AWG wire	240 0134 00

Section VI
L234 - J256

ITEM	CIRCUIT FUNCTION	DESCRIPTION	COLLINS PART NO.
L234	V205 11 and 10 M tank	COIL, RADIO FREQUENCY: 7 turns #26 AWG enameled wire	540 5325 00
L235	V205 plate choke	COIL, RADIO FREQUENCY: 139 turns #36 AWG wire	240 0134 00
L236	V205 15 M tank	COIL, RADIO FREQUENCY: 10 turns #26 AWG enameled wire	540 5254 00
L237	V205 20 M tank	COIL, RADIO FREQUENCY: 19 turns #30 AWG enameled wire	540 5258 00
L238	Driver plate chokes	COIL, RADIO FREQUENCY: 139 turns #36 AWG wire	240 0134 00
L239	PA Bias line filter	COIL, RADIO FREQUENCY: 139 turns #36 AWG wire	240 0134 00
L240 thru L245		Not used	
L246	B plus line filter	COIL, RADIO FREQUENCY: 139 turns #36 AWG wire	240 0134 00
L247	ALC line filter	COIL, RADIO FREQUENCY: 139 turns #36 AWG wire	240 0134 00
L248	V205, V206, V207 filament line filter	COIL, RADIO FREQUENCY: 20 turns #18 AWG wire	540 5252 00
L249	Driver Cathode Choke	COIL, RADIO FREQUENCY: choke, single wound, single layer wound; 0.22 uh \pm 20%, 2000 ma max dc	240 0067 00
L250	J102 rf filter	COIL, RADIO FREQUENCY: choke, single wound, 2.0 uh p/m 10% at 350 kc	240 0084 00
L251	J102 rf filter	COIL, RADIO FREQUENCY: choke, single wound, 2.0 uh p/m 10% at 350 kc	240 0084 00
L252	J102 rf filter	COIL, RADIO FREQUENCY: choke, single wound, 2.0 uh p/m 10% at 350 kc	240 0084 00
L253	J102 rf filter	COIL, RADIO FREQUENCY: choke, single wound, 2.0 uh p/m 10% at 350 kc	240 0084 00
L254	J102 rf filter	COIL, RADIO FREQUENCY: choke, single wound, 2.0 uh p/m 10% at 350 kc	240 0084 00
J255	J102 rf filter	COIL, RADIO FREQUENCY: choke, single wound, 2.0 uh p/m 10% at 350 kc	240 0084 000
J256	J103 rf filter	COIL, RADIO FREQUENCY: choke, single wound, 2.0 uh p/m 10% at 350 kc	240 0084 00

ITEM	CIRCUIT FUNCTION	DESCRIPTION	COLLINS PART NO.
L257	J103 rf filter	COIL, RADIO FREQUENCY: choke, 20 turns No. 18 wire	540 5252 00
L258	J103 rf filter	COIL, RADIO FREQUENCY: choke, 20 turns No. 18 wire	540 5252 00
L259	J103 rf filter	COIL, RADIO FREQUENCY: choke, single wound, 2.0 uh p/m 10% at 350 kc	240 0084 00
L260	J103 rf filter	COIL, RADIO FREQUENCY: choke, single wound, 2.0 uh p/m 10% at 350 kc	240 0084 00
L261	J103 rf filter	COIL, RADIO FREQUENCY: choke, single wound, 2.0 uh p/m 10% at 350 kc	240 0084 00
L262	J103 rf filter	COIL, RADIO FREQUENCY: choke, single wound, 2.0 mh p/m 10% at 350 kc	240 0084 00
L263		Not used	
L264	J103 rf filter	COIL, RADIO FREQUENCY: choke, 20 turns, #18 wire	540 5252 00
L265	J103 rf filter	COIL, RADIO FREQUENCY: choke, 20 turns, #18 wire	540 5252 00
L266	J103 rf filter	COIL, RADIO FREQUENCY: choke, 20 turns, #18 wire	540 5252 00
L267	J103 rf filter	COIL, RADIO FREQUENCY: choke, 20 turns, #18 wire	540 5252 00
L268	J103 rf filter	COIL, RADIO FREQUENCY: choke, 20 turns, #18 wire	540 5252 00
L269	J103 rf filter	COIL, RADIO FREQUENCY: choke, 20 turns, #18 wire	540 5252 00
L270	V204 plate loading	COIL, RADIO FREQUENCY: choke, single wound, 2.0 mh $\pm 10\%$ at 350 kc	240 0084 00
L271	J102 rf filter	COIL, RADIO FREQUENCY: choke, single wound, 2.0 mh $\pm 10\%$ at 350 kc	240 0084 00
L401	PA tuning coil	INDUCTOR: rotary; 15 uh, 24 turns #12 AWG tinned copper	980 0111 00
L402	PA loading coil	INDUCTOR: rotary: 10 uh, 17 turns #14 AWG tinned copper	980 0110 00
L403	PA plate choke	COIL, RADIO FREQUENCY: choke, 159 turns #27 chrome oxide wire	540 7979 00
L404	Static drain choke	COIL, RADIO FREQUENCY: 139 turns #36 AWG SNE wire	240 0134 00

Section VI
L405 - R101

ITEM	CIRCUIT FUNCTION	DESCRIPTION	COLLINS PART NO.
L405	PA screen choke	COIL, RADIO FREQUENCY: choke, 500 uh; 112 turns #36 nylon enamel wire	240 0073 00
L406	PA 10 meter inductor	COIL: double ear soldering lug; brass	540 5486 002
L501	HV filter choke	REACTOR: filter; 55 ohms nominal; 120 cps	668 0153 00
L502	LV filter choke	REACTOR: filter choke; 4 hy, 230 ma, 100 ohm dc resistance; 1600 v rms tests; enclosed metal case	668 0147 00
L503	Screen filter choke	REACTOR: filter; 12 hy; 375 nominal ohm	668 0004 00
L504	LV filter choke	REACTOR: filter choke; 4 hy, 230 ma, 100 ohm dc resistance; 1600 v rms test; enclosed metal case	668 0147 00
L701	Driver 80 M tank	COIL: 80 mh	540 5673 002
L702	Driver 20 M tank	COIL, RADIO FREQUENCY: 10 turns #26 AWG enameled wire	540 5254 00
L703	Driver 40 M tank	COIL, RADIO FREQUENCY: 17 turns #28 AWG wire	540 5670 002
L704	Driver 15 M tank	COIL: 15 mh	540 5671 002
L705	Driver 11 and 10 M tank	COIL, RADIO FREQUENCY: 4 turns #26 AWG wire	540 5672 00
L706	Driver cathode choke	COIL, RADIO FREQUENCY: choke 112 turns #36 nylon enameled wire	240 0073 00
M201	Multimeter	METER: signal level; 0-1 ma dc; 50 ohm p/m 20%	458 0238 00
M701	PA plate current meter	METER: milliammeter; 0-800 mc dc	458 0293 00
P102	Control cable plug	CONNECTOR: receptacle; 15 female cont; straight COVER: for 15 cont plug connector	372 1081 00 372 1083 00
P103	Power cable plug	CONNECTOR, RECEPTACLE ELECTRICAL: 20 female cont; straight COVER: for 20 cont connector	372 1071 00 372 1073 00
P104	Phone patch input audio amplr V101	PLUG: phone; single round male cont	361 0045 00
P401	Antenna connection plug	CONNECTOR, PLUG ELECTRICAL: single round male contact	357 9040 00
P402	PA plate voltage plug	CONNECTOR, RECEPTACLE ELECTRICAL: single round female contact	372 1490 00
R101	Audio input rf filter	RESISTOR: comp; 4700 ohm p/m 10%; 1/2 w	745 1380 00

ITEM	CIRCUIT FUNCTION	DESCRIPTION	COLLINS PART NO.
R102	V101A grid	RESISTOR: comp; 1 megohm p/m 10%; 1/2 w	745 1478 00
R103	V101A cathode	RESISTOR: comp; 680 ohm p/m 10%; 1/2 w	745 1345 00
R104	V101A plate	RESISTOR: comp; 0.22 megohm p/m 10%, 1/2 w	745 1450 00
R105	V101B grid	RESISTOR: comp; 470,000 ohm p/m 10%, 1/2 w	745 1464 00
R106	V101B cathode	RESISTOR: comp; 1000 ohm ±10%, 1/2 w	745 1352 00
R107	V101 plate decoupling	RESISTOR: comp; 27,000 ohm p/m 10%, 1/2 w	745 1412 00
R108	V101B plate	RESISTOR: comp; 56,000 ohm p/m 10%, 1/2 w	745 1426 00
R109	Audio gain control	RESISTOR: variable; 1 megohm p/m 20%; 1/2 w	376 3528 00
R110	V102A cathode	RESISTOR: comp; 220 ohm p/m 10%; 1/2 w	745 1324 00
R111	V102A plate dropping	RESISTOR: comp; 27,000 ohm p/m 10%, 1/2 w	745 1412 00
R112	Carrier balance	RESISTOR: variable; 100 ohm p/m 20%, 1/2 w	380 6271 00
R113	VOX speech gain control	RESISTOR: variable; 1 megohm p/m 20%, 1/2 w	376 3513 00
R114	V103A cathode	RESISTOR: comp; 330 ohm p/m 10%, 1/2 w	745 1331 00
R115	V103A plate	RESISTOR: comp; 100,000 ohm p/m 10%, 1/2 w	745 1436 00
R116	V107A plate	RESISTOR: comp; 100,000 ohm p/m 10%, 1/2 w	745 1436 00
R117	V103B grid	RESISTOR: comp; 2.2 megohm p/m 10%, 1/2 w	745 1492 00
R118	V103B cathode	RESISTOR: comp; 680 ohm p/m 10%, 1/2 w	745 1345 00
R119	V103 fixed bias series	RESISTOR: wire wound; 22,000 ohm p/m 10%; 10 w	710 0260 00
R120	Receiver muting divider	RESISTOR: comp; 68,000 ohm p/m 10%; 2 w	745 5729 00
R121	Receiver muting divider	RESISTOR: comp; 10,000 ohm p/m 10%; 1/2 w	745 1394 00
R122	VOX speaker gain	RESISTOR: variable; 1 megohm p/m 20%; 1/2 w	376 3528 00
R123	V102B cathode	RESISTOR: comp; 330 ohm p/m 5%; 1/2 w	745 1331 00
R124	V102B plate	RESISTOR: comp; 100,000 ohm p/m 10%; 1/2 w	745 1436 00
R125	V107B cathode	RESISTOR: comp; 100,000 ohm p/m 10%; 1/2 w	745 1436 00
R126	V103B grid	RESISTOR: comp; 2.2 megohm p/m 10%; 1/2 w	745 1492 00
R127	V104B grid	RESISTOR: comp; 0.47 megohm p/m 10%; 1/2 w	745 1464 00

Section VI
R128 - R148

ITEM	CIRCUIT FUNCTION	DESCRIPTION	COLLINS PART NO.
R128	V102A grid decoupling	RESISTOR: comp; 0.47 megohm p/m 10%; 1/2 w	745 1464 00
R129	Carrier level control	RESISTOR: variable; 100,000 ohm $\pm 20\%$; 2 w	380 0631 00
R130	V104A grid	RESISTOR: comp; 0.47 megohm p/m 10%; 1/2 w	745 1464 00
R131	Voltage regulator dropping	RESISTOR: wire wound; 2500 ohm $\pm 5\%$; 11 w	746 6088 00
R132	Filament bias divider	RESISTOR: comp; 470,000 ohm p/m 10%; 1/2 w	745 1464 00
R133	Filament bias divider	RESISTOR: comp; 68,000 ohm p/m 10%; 1/2 w	745 1429 00
R134	V107A cathode	RESISTOR: comp; 1.5 megohm $\pm 10\%$; 1/2 w	745 1485 00
R135	V107B plate	RESISTOR: comp; 1.5 megohm $\pm 10\%$; 1/2 w	745 1485 00
R136	Keying filter	RESISTOR: comp; 10,000 ohm p/m 10%; 1/2 w	745 1394 00
R137	Keying filter	RESISTOR: comp; 1 megohm p/m 10%; 1/2 w	745 1478 00
R138	Keying filter	RESISTOR: comp; 2700 ohm p/m 10%; 1/2 w	745 1370 00
R139	Keying filter	RESISTOR: comp; 100,000 ohm p/m 10%; 1/2 w	745 1436 00
R140		Not used	
R141	Keying filter	RESISTOR: comp; 22,000 ohm p/m 10%; 1/2 w	745 1408 00
R142		Not used	
R143	V201 grid decoupling	RESISTOR: comp; 47,000 ohm p/m 10%; 1/2 w	745 1422 00
R144	Receiver muting divider	RESISTOR: comp; 68,000 ohm p/m 10%; 2 w	745 5729 00
R146	V104A plate load	RESISTOR: comp; 47,000 ohm p/m 10%; 1/2 w	745 1422 00
R147		Not used	
R148	V104B cathode	RESISTOR: comp; 4700 ohm p/m 10%; 1/2 w	745 1380 00

ITEM	CIRCUIT FUNCTION	DESCRIPTION	COLLINS PART NO.
R149	V104B cathode	RESISTOR: comp; 220 ohm p/m 10%; 1/2 w	745 1324 00
R150	Balanced modulator bridge	RESISTOR: comp; 680 ohm p/m 10%; 1/2 w	745 1345 00
R151	Balanced modulator bridge	RESISTOR: comp; 680 ohm p/m 10%; 1/2 w	745 1345 00
R152	V102A grid	RESISTOR: comp; 0.22 megohm p/m 10%; 1/2 w	745 1450 00
R153	V102A cathode load	RESISTOR: comp; 4700 ohm p/m 10%; 1/2 w	745 1380 00
R154	V102A grid divider	RESISTOR: comp; 0.47 megohm ±10%, 1/2 w	745 1464 00
R155	V103A grid series	RESISTOR: comp; 0.33 megohm ±10%, 1/2 w	745 1457 00
R156	Shunt for R112	RESISTOR: comp; 22 ohm p/m 10%; 1/2 w	745 1282 00
R157	Shunt for R112	RESISTOR: comp; 22 ohm p/m 10%; 1/2 w	745 1282 00
R158	V102A output level adj.	RESISTOR: comp; 100 ohm ±10%; 1/2 w	745 1352 00
R201	V201 grid stabilizer	RESISTOR: comp; 47 ohm p/m 10%; 1/2 w	745 1296 00
R202	V201 cathode	RESISTOR: comp; 220 ohm p/m 10%; 1/2 w	745 1324 00
R203	V201 grid	RESISTOR: comp; 100,000 ohm p/m 10%; 1/2 w	745 1436 00
R204	V201 plate decoupling	RESISTOR: comp; 10,000 ohm p/m 10%; 2 w	745 5694 00
R205	V202 grid decoupling	RESISTOR: comp; 47,000 ohm p/m 10%; 1/2 w	745 1422 00
R206	V202 cathode	RESISTOR: comp; 220 ohm ±10%, 1/2 w	745 1324 00
R207	ALC zero control	RESISTOR: wire wound; 250 ohm ±10%; 2 w	750 0519 00
R208	80 M driver load	RESISTOR: comp; 8,200 ohms p/m 10%; 2 w	745 5691 00
R209	V202 screen divider	RESISTOR: comp; 150 ohm p/m 10%; 1/2 w	745 1317 00
R210	V202 screen divider	RESISTOR: comp; 47,000 ohm p/m 10%; 1/2 w	745 1422 00
R211	V202 screen	RESISTOR: comp; 22,000 ohm p/m 5%; 1 w	745 3407 00
R212	V202 plate decoupling	RESISTOR: comp; 1000 ohm p/m 10%; 1/2 w	745 1352 00
R213	V203 grid decoupling	RESISTOR: comp; 47,000 ohm p/m 10%; 1/2 w	745 1422 00
R214	V203 cathode	RESISTOR: comp; 220 ohm ±10%; 1/2 w	745 1324 00
R215	V203 screen bleeder	RESISTOR: comp; 47,000 ohm p/m 10%; 1/2 w	745 1422 00
R216	V203 screen	RESISTOR: comp; 22,000 ohm p/m 5%; 1 w	745 3407 00
R217	V203 plate decoupling	RESISTOR: comp; 1000 ohm p/m 10%; 1/2 w	745 1352 00
R218	V204 grid	RESISTOR: comp; 100,000 ohm p/m 10%; 1/2 w	745 1436 00

Section VI
R219 - R245

ITEM	CIRCUIT FUNCTION	DESCRIPTION	COLLINS PART NO.
R219	V204 cathode	RESISTOR: comp; 220 ohm p/m 10%; 1/2 w	745 1324 00
R220	V204 grid	RESISTOR: comp; 100,000 ohm p/m 10%; 1/2 w	745 1436 00
R221	V208 screen	RESISTOR: comp; 470,000 ohm p/m 10%; 1/2 w	745 1464 00
R222	V208 plate decoupling	RESISTOR: comp; 4700 ohm p/m 10%; 1/2 w	745 1380 00
R223	V204 plate decoupling	RESISTOR: comp; 10,000 ohm p/m 10%; 2 w	745 5694 00
R224	V202 grid suppressor	RESISTOR: comp; 4700 ohm \pm 10%; 1/2 w	745 1296 00
R225	V205 cathode	RESISTOR: comp; 220 ohm p/m 10%; 1/2 w	745 1324 00
R226	V205 screen bleeder	RESISTOR: comp; 47,000 ohm p/m 10%; 1/2 w	745 1422 00
R227	V205 screen	RESISTOR: comp; 22,000 ohm p/m 5%; 1 w	745 3407 00
R228	V205 plate decoupling	RESISTOR: wire wound; 4000 ohm p/m 10%; 10 w	710 1442 00
R229	Driver grid	RESISTOR: comp; 18,000 ohm p/m 10%; 1/2 w	745 1405 00
R230	V209 plate decoupling	RESISTOR: comp; 1000 ohm p/m 10%; 1/2 w	745 1352 00
R231	Driver screen	RESISTOR: comp; 4700 ohm p/m 10%; 2 w	745 5680 00
R232	V209 screen	RESISTOR: comp; 22,000 ohm p/m 5%; 1 w	745 3407 00
R233	V208 grid	RESISTOR: comp; 100,000 ohm p/m 10%; 1/2 w	745 1436 00
R234	V209 screen bleeder	RESISTOR: comp; 47,000 ohm p/m 10%; 1/2 w	745 1422 00
R235	V209 cathode	RESISTOR: comp; 560 ohm p/m 10%; 1/2 w	745 1342 00
R236	Load for L230	RESISTOR: comp; 2700 ohm \pm 10%; 1/2 w	745 1370 00
R237	Load for L229	RESISTOR: comp; 2700 ohm \pm 10%; 1/2 w	745 1370 00
R238	40 M load for L231	RESISTOR: comp; 2700 ohm \pm 10%; 1/2 w	745 1370 00
R239	Load for L237	RESISTOR: comp; 2700 ohm \pm 10%; 1/2 w	745 1370 00
R240	Load for L236	RESISTOR: comp; 2700 ohm \pm 10%; 1/2 w	745 1370 00
R241	11 M load for L234	RESISTOR: comp; 2700 ohm \pm 10%; 1/2 w	745 1370 00
R242	10 M load for L234	RESISTOR: comp; 2700 ohm \pm 10%; 1/2 w	745 1370 00
R243	40 M load for L227	RESISTOR: comp; 27 ohm \pm 10%; 1/2 w	745 1384 00
R244	V205 parasitic suppressor	RESISTOR: comp; 27 ohm \pm 10%; 1/2 w	745 1286 00
R245	V204 grid loading	RESISTOR: comp; 4700 ohm \pm 10%; 1/2 w	745 1380 00

ITEM	CIRCUIT FUNCTION	DESCRIPTION	COLLINS PART NO.
R246		NOT USED	
R247	ALC time constant	RESISTOR: comp; 3.3 megohm $\pm 10\%$; 1/2 w	745 1499 00
R248	ALC time constant	RESISTOR: comp; 680,000 ohm p/m 10%; 1/2 w	745 1471 00
R249	Parasitic suppressor	RESISTOR: comp; 47 ohms p/m 10%; 1/2 w	745 1296 00
R406	V403 plate stabilizing	RESISTOR: comp; 3300 ohm p/m 10%; 1/2 w	745 1373 00
R407	Parasitic suppressor	RESISTOR: comp; 470 ohms p/m 10%; 2 w	745 5638 00
R501	K503 heater series	RESISTOR: comp; 4700 ohm p/m 10%; 2 w	745 9083 00
R502	HV bleeder	RESISTOR: wire wound, 25,000 ohm p/m 10%; 160 w	710 6254 00
R503	HV bleeder	RESISTOR: wire wound, 25,000 ohm p/m 10%; 160 w	710 6254 00
R504	V504 plate	RESISTOR: comp; 470,000 ohm p/m 10%; 1/2 w	745 1464 00
R505	V504/V505 cathode series	RESISTOR: comp; 4700 ohm p/m 10%; 2 w	745 5680 00
R506	V504/V505 cathode series	RESISTOR: comp; 4700 ohm p/m 10%; 2 w	745 5680 00
R507	V504/V505 cathode series	RESISTOR: comp; 3900 ohm p/m 10%; 2 w	745 5677 00
R508	V504/V505 cathode series	RESISTOR: comp; 3900 ohm p/m 10%; 2 w	745 5677 00
R509	Screen adjust series	RESISTOR: comp; 560,000 ohm p/m 10%; 1/2 w	745 1468 00
R510	Screen adjust dropping	RESISTOR: comp; 47,000 ohm p/m 10%; 2 w	745 5722 00
R511	Screen adjust	RESISTOR: 25,000 ohm p/m 20%; 2 w	380 5765 00
R512	Screen adjust divider	RESISTOR: comp; 22,000 ohm p/m 10%; 1 w	745 3408 00
R513	PA bias dropping	RESISTOR: comp; 4700 ohm p/m 10%; 2 w	745 5680 00
R514	PA bias divider	RESISTOR: comp; 3300 ohm p/m 10%; 2 w	745 5673 00
R515	PA bias adjust	RESISTOR: variable; comp; 5000 ohm p/m 20%; 2 w	380 0614 00
R516	Plate meter shunt	RESISTOR: wire wound; 50 ohm p/m 10%; 25 w	710 3502 00
R517	Meter divider	RESISTOR: film; 1.0 megohm p/m 1%; 1/2 w	705 2203 00
R518	Meter divider	RESISTOR: film; 1.0 megohm p/m 1%; 1/2 w	705 2203 00
R519	Meter divider	RESISTOR: film; 1.0 megohm p/m 1%; 1/2 w	705 2203 00
R520	Meter divider	RESISTOR: film; 1.0 megohm 1/m 1%; 1/2 w	705 2203 00
R521	Meter divider	RESISTOR: film; 1.0 megohm p/m 1%; 1/2 w	705 2203 00
R522	Meter divider	RESISTOR: comp; 10,000 ohm p/m 10%; 1 w	745 3394 00

Section VI
R523 - S101C

ITEM	CIRCUIT FUNCTION	DESCRIPTION	COLLINS PART NO.
R523	V507 grid divider	RESISTOR: comp; 15,000 ohm p/m 10%; 1 w	745 3401 00
R524	TUNE-OPERATE screen dropping	RESISTOR: comp; 27,000 ohm p/m 10%; 2 w	745 5712 00
R525	V507 grid divider	RESISTOR: comp; 47,000 ohm p/m 10%; 1 w	745 3422 00
R526	V507 grid divider	RESISTOR: comp; 1.0 megohm p/m 10%, 500 wv	745 5778 00
R527	V507 grid divider	RESISTOR: comp; 1.0 megohm p/m 10%; 500 wv	745 5778 00
R528	V507 grid series	RESISTOR: comp; 27,000 ohm p/m 10%; 1 w	745 3412 00
R529	Bias supply filter	RESISTOR: comp; 470 ohm p/m 10%; 1/2 w	745 1338 00
R530	Bias supply filter	RESISTOR: comp; 470 ohm p/m 10%; 1/2 w	745 1338 00
R531	LV supply bleeder	RESISTOR: comp; 68,000 ohm p/m 10%; 2 w	745 5729 00
R532	Ant. relay supply filter	RESISTOR: comp; 100 ohm p/m 10%; 1/2 w	745 1310 00
R533	V507 bias series	RESISTOR: comp; 0.10 megohm p/m 10%; 1 w	745 3436 00
R534	Surge damper	RESISTOR: wire wound, 50 ohms \pm 10%; 10 w	710 1502 00
R535	Heater to cathode leakage protection	RESISTOR; comp, 1.0 megohm \pm 10%; 1/2 w	745 1478 00
R705	Multimeter shunt	RESISTOR: wire wound; 1 ohm p/m 3%; 2 w	747 9296 00
R706	R706A and R706B	(incl)	
R706A	Multimeter shunt	RESISTOR: comp; 10 ohm p/m 10%; 1/2 w	745 1268 00
R706B	Multimeter shunt	RESISTOR: comp; 10 ohm p/m 10%; 1/2 w	745 1268 00
R707	Filament meter multiplier	RESISTOR: 4320 ohm p/m 1%; 1/2 w	705 2146 00
R708	Driver cathode	RESISTOR: comp; 1000 ohm p/m 10%; 1/2 w	745 1352 00
R709	PA screen bleeder	RESISTOR: wire wound; 20,000 ohm p/m 5%; 12 w	747 9246 00
RT101	Oscillator filament voltage regulator	TUBE: 3TF4A	734 0004 00
S101A	Part of emission selector switch	SWITCH: rotary; 6 circuit, 6 position; nonshorting	259 0659 00
S101B	Part of emission selector switch	SWITCH: rotary; 6 circuit, 6 position; nonshorting	259 0659 00
S101C	Part of emission selector switch	SWITCH: rotary; 6 circuit, 6 position; nonshorting	259 0659 00

ITEM	CIRCUIT FUNCTION	DESCRIPTION	COLLINS PART NO.
S102	Sideband select switch	SWITCH: rotary; 1 circuit, 12 position; shorting	269 1680 00
S201A	Part of Band Change switch	SWITCH: rotary; 1 circuit, 12 position; nonshorting	269 1692 00
S201B	Part of Band Change switch	SWITCH: rotary; 1 circuit, 12 position; nonshorting	269 1692 00
S201C	Part of Band Change switch	SWITCH: rotary; 2 circuit, 12 position; nonshorting	269 1693 00
S201D	Part of Band Change switch	SWITCH: rotary; 1 circuit, 12 position; nonshorting	269 1694 00
S201E	Part of Band Change switch	SWITCH: rotary; 1 circuit, 12 position; nonshorting	269 1694 00
S201F	Part of Band Change switch	SWITCH: rotary; 2 circuit, 12 position; nonshorting	269 1696 00
S201G	Part of Band Change switch	SWITCH: rotary; 2 circuit, 12 position; nonshorting	269 1697 00
S201H		Not used	
S201I	Part of Band Change switch	SWITCH: rotary; 1 circuit, 12 position; nonshorting	269 1699 00
S202	TEST KEY	SWITCH	259 1020 00
S203		Not used	
S204	Tune-operate	SWITCH: toggle; spst	266 0015 00
S401	PA box lid interlock	SWITCH: sensitive; spdt; 15 amp, 115 vac	260 0839 00
S502	PLATE switch	SWITCH: toggle; spst	259 0837 00
S503	Door interlock	SWITCH: interlock	
S503A	p/o S503	SWITCH: interlock; 2 male contact	260 4040 00
S503B	p/o S503	SWITCH: interlock; 2 female contact	260 4050 00
S504	FILAMENT switch	SWITCH: dpst; toggle	266 3057 00
S505		Not used	
S506	FILAMENT VOLTAGE	SWITCH: rotary; 1 circuit, 7 position; nonshorting	259 0665 00
S507	S507A and S507B		
S507A	Part of HV grounding interlock	WASHER: contact; cad plate, brass 2" lg x 3/4" thk	504 9553 001

Section VI
S507B - V103

ITEM	CIRCUIT FUNCTION	DESCRIPTION	COLLINS PART NO.
S507B	Part of HV grounding interlock	BRACKET: shorting; steel-cold rolled, bright cad plate	540 5441 002
S508	Rear-door interlock	SWITCH: interlock	
S508A	p/o S508	SWITCH: interlock; 2 male contact	260 4040 00
S508B	p/o S508	SWITCH: interlock; 2 female contact	260 4050 00
S701	Multimeter	SWITCH: rotary; 2 circuit, 5 position; nonshorting	259 0673 00
T501	PA filament	TRANSFORMER: filament; pri 115 v, secd 6.3 v, 6.6 amp; 1000 tv, 50/60 cps	662 0156 00
T502	HV rectifier filament	TRANSFORMER: power; fil type; input 115 v or 230 v; single output winding; output 2.5 v center tapped input 2500 v rms test	672 0399 00
T503	HV plate	TRANSFORMER: plate; input 115 v or 230 v rms, 50/60 cps, single phase; 5000 tv	662 0155 00
T504	Screen power	TRANSFORMER: power pri 115 v, secd 980 v ct; 1900 tv, 50/60 cps	662 0157 00
T505	Filament	TRANSFORMER: filament; pri 117 v ct at 107 v, secd #1: 5 v, 4.0 amp, secd #2: 6.3 v, 3.6 amp; 2500 tv; 50/60 cps	662 0158 00
T506	Low voltage supply	TRANSFORMER: power; filament and plate type, pri 115 v, secd #1: 860 v, 80 ma dc, ct; secd #2; 270 v 10 ma dc; secd #3: 5.0 v, 4.0 A p/m 3%, secd #4: 6.6 v, 9.0 A p/m 3%; secd #5: 12.6 v, 0.3 A, p/m 5%; 1600 rms test	662 0146 00
TB103	Keying network resistor board	BOARD: terminal; mtg strip for resistors	306 0296 00
TB501	Output connector	TERMINAL STRIP: 10 term	367 0438 00
TB502	Low voltage output connector	TERMINAL STRIP: 10 term	367 0438 00
TB503	Line input connector	TERMINAL STRIP: 3 term	367 0643 00
TB504		Not used	
TB505	Blower connector	TERMINAL STRIP: 2 term	367 0001 00
V001	VFO	TUBE: 5749	253 0005 00
V101	Audio amplifier	TUBE: 12AT7	255 0205 00
V102	Audio output/squelch amplr	TUBE: 12AT7	255 0205 00
V103	VOX/relay amplr	TUBE: 12AT7	255 0205 00

ITEM	CIRCUIT FUNCTION	DESCRIPTION	COLLINS PART NO.
V104	Low freq. oscillator	TUBE: 12AT7	255 0205 00
V105	Voltage regulator	TUBE: OB2	257 0058 00
V106	Voltage regulator	TUBE: OB2	257 0058 00
V107	VOX/squelch rectifier	TUBE: 6AL5	257 0018 00
V201	1st Mixer	TUBE: 12AT7	255 0205 00
V202	1st Amplifier	TUBE: 6BA6	255 0185 00
V203	2nd Amplifier	TUBE: 6BA6	255 0185 00
V204	2nd Mixer	TUBE: 12AT7	255 0205 00
V205	4th Amplifier	TUBE: 6AN5	255 0235 00
V206	Driver	TUBE: 6CL6	255 0216 00
V207	Driver	TUBE: 6CL6	255 0216 00
V208	Crystal Oscillator	TUBE: 6AU6	255 0202 00
V209	3rd Amplifier	TUBE: 6BA6	255 0185 00
V401	Power amplifier	TUBE: 4X250B	256 0112 00
V402	Power amplifier	TUBE: 4X250B	256 0112 00
V403	ALC rectifier	TUBE: 6AL5	257 0018 00
V501	HV rectifier	TUBE: 866A/866	256 0049 00
V502	HF rectifier	TUBE: 866A/866	256 0049 00
V503	Screen rectifier	TUBE: 5Y3GT	255 0157 00
V504	Screen regulator	TUBE: 6AS7G	255 0203 00
V505	Screen regulator	TUBE: 12AX7	255 0201 00
V506	Screen regulator	TUBE: OB2	257 0058 00
V507	Screen protect	TUBE: 2D21	257 0065 00
V508	LV rectifier	TUBE: 5U4GB	257 0109 00
V509	Bias rectifier	TUBE: 6AL5	257 0018 00
XC509	For C505 and C509	WASHER: special type; phenolic used for mounting 1-3/8 in. dia electrolytic capacitor	310 0064 00
XF501	Holder for F501	HOLDER: fuse; extractor post type; for 3 AG fuse	265 1002 00

Section VI
XF502 - XL237

ITEM	CIRCUIT FUNCTION	DESCRIPTION	COLLINS PART NO.
XF502	Holder for F502	HOLDER: fuse: extractor post type; for 3AG fuse	265 1002 00
XF503	Holder for F503	HOLDER: fuse; extractor post type; for 3AG fuse	265 1002 00
XF504	Holder for F504	HOLDER: fuse; extractor post type; for 3AG fuse	265 1002 00
XF505	Holder for F505	HOLDER: fuse; extractor post type; for 3AG fuse	265 1002 00
XK503	Socket for K503	SOCKET: tube; octal	220 1005 00
XI101	Socket for I101	LAMPHOLDER: bracket for miniature bayonet base bulb	262 0150 00
XI102	Socket for I102	LAMPHOLDER: bracket for miniature bayonet base bulb	262 1210 00
XI103	Socket for I103	LAMPHOLDER: bracket for miniature bayonet base bulb	262 1210 00
XI501	Holder for I501	LAMPHOLDER: candelabra	262 0255 00
XI502	Holder for I502	LAMPHOLDER: candelabra	262 0255 00
XL212	Socket for L212	MOUNTING: coil and core holder	139 0184 00
XL213	Socket for L213	MOUNTING: coil and core holder	139 0184 00
XL214	Socket for L214	MOUNTING: coil and core holder	139 0184 00
XL215	Socket for L215	MOUNTING: coil and core holder	139 0184 00
XL216	Socket for L216	MOUNTING: coil and core holder	139 0184 00
XL217	Socket for L217	MOUNTING: coil and core holder	139 0184 00
XL218	Socket for L218	MOUNTING: coil and core holder	139 0184 00
XL219	Socket for L219	MOUNTING: coil and core holder	139 0184 00
XL221	Socket for L221	MOUNTING: coil and core holder	139 0184 00
XL227	Socket for L227	MOUNTING: coil and core holder	139 0184 00
XL229	Socket for L229	MOUNTING: coil and core holder	139 0184 00
XL230	Socket for L230	MOUNTING: coil and core holder	139 0184 00
XL234	Socket for L234	MOUNTING: coil and core holder	139 0184 00
XL236	Socket for L236	MOUNTING: coil and core holder	139 0184 00
XL237	Socket for L237	MOUNTING: coil and core holder	139 0184 00

ITEM	CIRCUIT FUNCTION	DESCRIPTION	COLLINS PART NO.
XL702	Socket for L702	MOUNTING: coil and core holder	139 0184 00
XL703	Socket for L703	MOUNTING: coil and core holder	139 0184 00
XL704	Socket for L704	MOUNTING: coil and core holder	139 0184 00
XL705	Socket for L705	MOUNTING: coil and core holder	139 0184 00
XRT101	Socket for RT101	SOCKET: tube; 9 contact miniature; includes metal shield	220 1063 00
XV101	Socket for V101	SOCKET: tube; 9 contact miniature	220 1103 00
XV102	Socket for V102	SOCKET: tube; 9 contact miniature	220 1103 00
XV103	Socket for V103	SOCKET: tube; 9 contact miniature	220 1103 00
XV104	Socket for V104	SOCKET: tube; 9 contact miniature	220 1103 00
XV105	Socket for V105	SOCKET: tube; 7 contact miniature	220 1036 00
XV106	Socket for V106	SOCKET: tube; 7 contact miniature	220 1036 00
XV107	Socket for V107	SOCKET: tube; 7 contact miniature	220 1111 00
XV201	Socket for V201	SOCKET: tube; 9 contact miniature	220 1103 00
XV202	Socket for V202	SOCKET: tube; 7 contact miniature	220 1111 00
XV203	Socket for V203	SOCKET: tube; 7 contact miniature	220 1111 00
XV204	Socket for V204	SOCKET: tube; 9 contact miniature	220 1103 00
XV205	Socket for V205	SOCKET: tube; 7 contact miniature	220 1111 00
XV206	Socket for V206	SOCKET: tube; 9 contact miniature	220 1103 00
XV207	Socket for V207	SOCKET: tube; 9 contact miniature	220 1103 00
XV208	Socket for V208	SOCKET: tube; 7 contact miniature	220 1111 00
XV209	Socket for V209	SOCKET: tube; 7 contact miniature	220 1111 00
XV401A	Socket for V401	SOCKET: tube; 8 contact	220 1174 00
XV401B	Chimney for V401	CHIMNEY: for 8 contact tube	220 1150 00
XV402A	Socket for V02	SOCKET: tube; 8 contact	220 1174 00
XV402B	Chimney for V402	CHIMNEY: for 8 contact tube	220 1150 00
XV403	Socket for V403	SOCKET: tube; 7 contact	220 1203 00
XV501	Socket for V501	SOCKET: tube; 4 prong bayonet lock	220 1218 00
XV501B	Part of XV501	COVER: tube socket	220 1219 00

Section VI
 XV502 - Z102

ITEM	CIRCUIT FUNCTION	DESCRIPTION	COLLINS PART NO.
XV502	Socket for V502	SOCKET: tube; 4 prong bayonet lock	220 1218 00
XV502B	Part of XV502	COVER: tube socket	220 1219 00
XV503	Socket for V503	SOCKET: tube; 8 prong octal	220 1005 00
XV504	Socket for V504	SOCKET: tube; 8 prong octal	220 1005 00
XV505	Socket for V505	SOCKET: tube; 9 contact miniature	220 1103 00
XV506	Socket for V506	SOCKET: tube; 7 contact miniature	220 1111 00
XV507	Socket for V507	SOCKET: tube; 7 contact miniature	220 1112 00
XV508	Socket for V508	SOCKET: tube; 8 prong octal	220 1005 00
XY201	Socket for Y201	SOCKET: crystal; for CR-7 type crystal	292 0023 00
XY202	Socket for Y202	SOCKET: crystal; for CR-7 type crystal	292 0023 00
XY203	Socket for Y203	SOCKET: crystal; for CR-7 type crystal	292 0023 00
XY204	Socket for Y204	SOCKET: crystal; for CR-7 type crystal	292 0023 00
XY205	Socket for Y205	SOCKET: crystal; for CR-7 type crystal	292 0023 00
XY206	Socket for Y206	SOCKET: crystal; for CR-7 type crystal	292 0023 00
Y101	Lower sideband crystal	CRYSTAL UNIT: quartz 251.65 kc $\pm 0.02\%$	290 4458 00
Y102	Upper sideband crystal	CRYSTAL UNIT: quartz 248.35 kc $\pm 0.02\%$	290 4457 00
Y201	Crystal of 10 M (hi) band	CRYSTAL UNIT: quartz 13,000.000 kc $\pm 0.005\%$	291 8102 00
Y202	Crystal of 10 M (lo) band	CRYSTAL UNIT: quartz; single crystal plate; holder HC-6/U; 12,500.000 kc	291 8141 00
Y203	Crystal for 11 M band	CRYSTAL UNIT: quartz; single crystal plate; holder HC-6/U; 11,700.000 kc	291 8165 00
Y204	Crystal for 15 M band	CRYSTAL UNIT: quartz; single crystal plate; holder HC-6/U; 8,750.000 kc	291 8088 00
Y205	Crystal for 20 M band	CRYSTAL UNIT: quartz; single crystal plate; holder HC-6/U; 11,000.000 kc	291 8114 00
Y206	Crystal for 40 M band	CRYSTAL UNIT: quartz; single crystal plate; holder HC-6/U; 4,000.000 kc	291 8131 00
Z102	Contains L101, C122, C123 and C124	TUNING UNIT: cement; top, rolled plate; retainer ring; 250 kc	540 4060 00

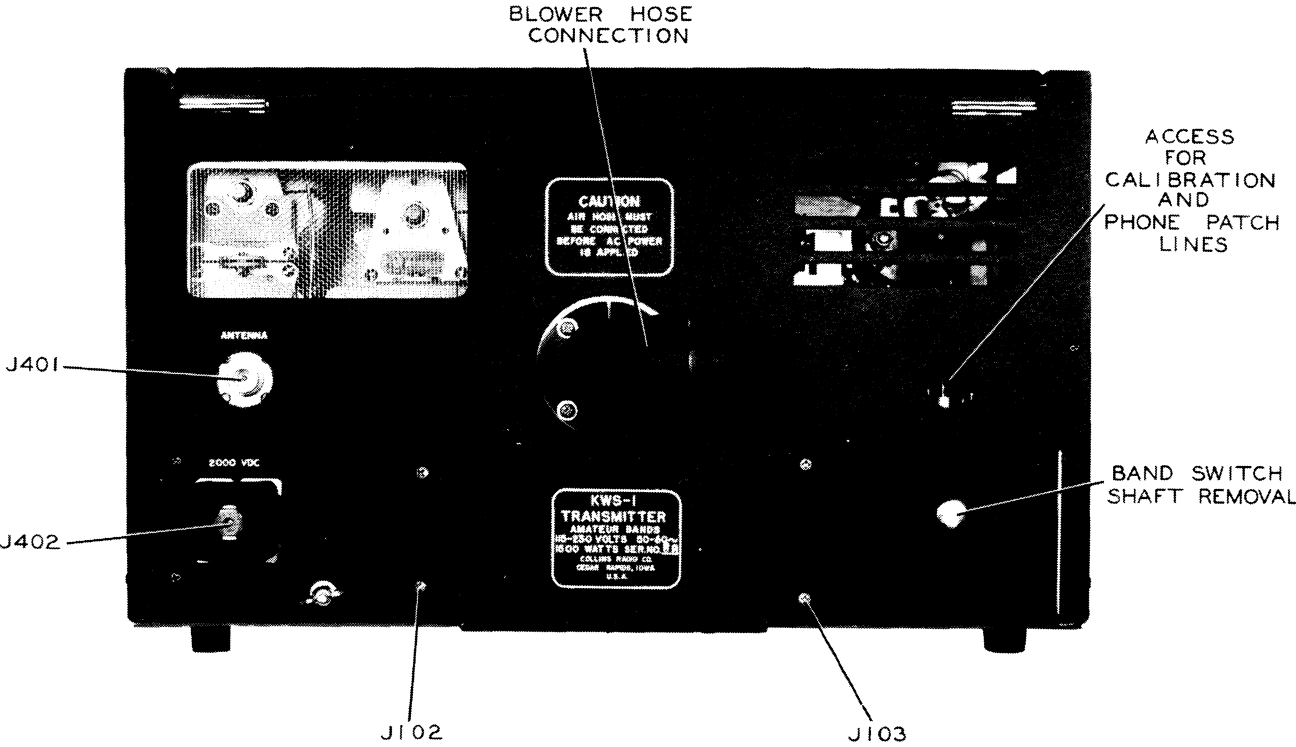


Figure 6-1. Exciter/Power Amplifier, Rear Panel

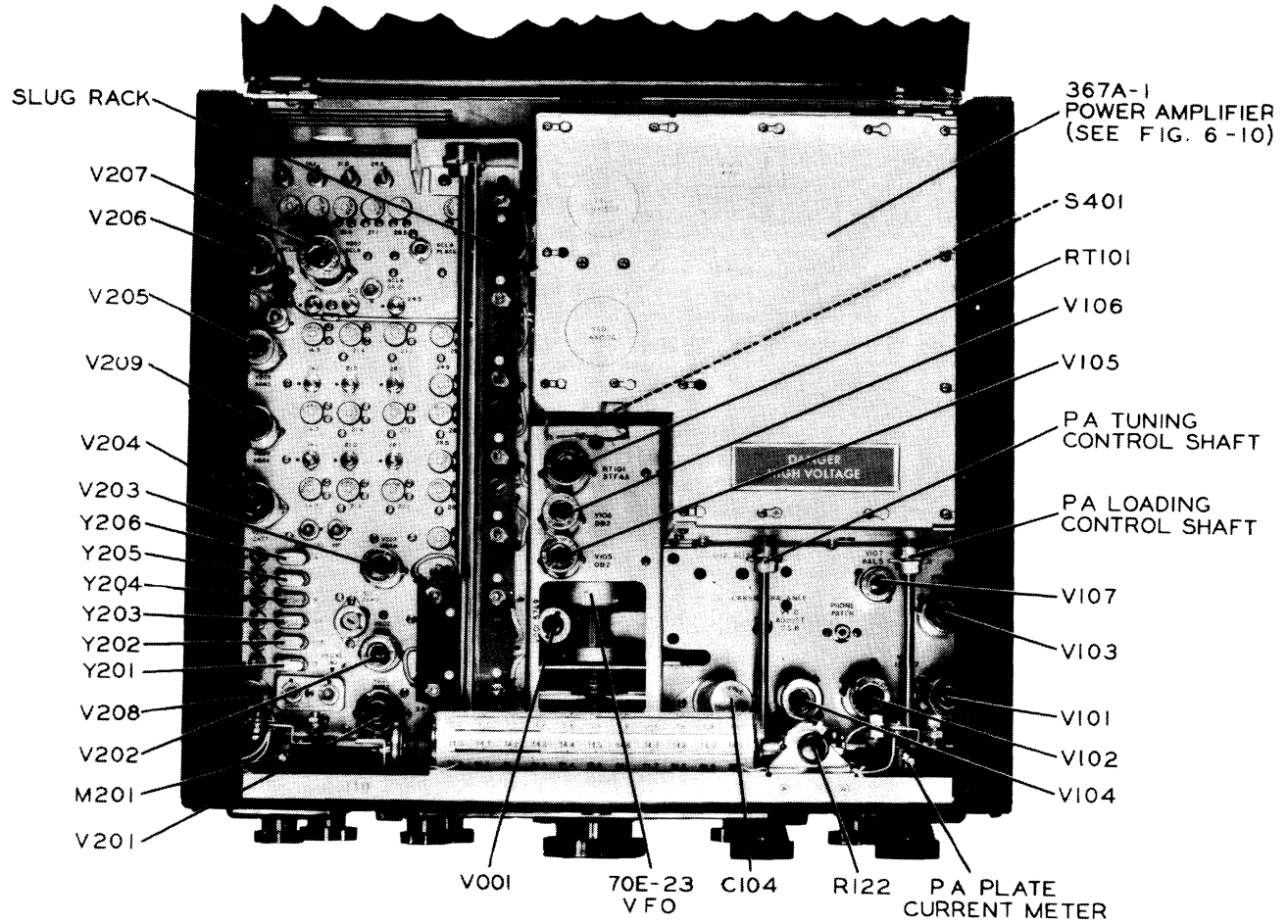


Figure 6-2. Exciter/Power Amplifier, Top View, Top Cover Open

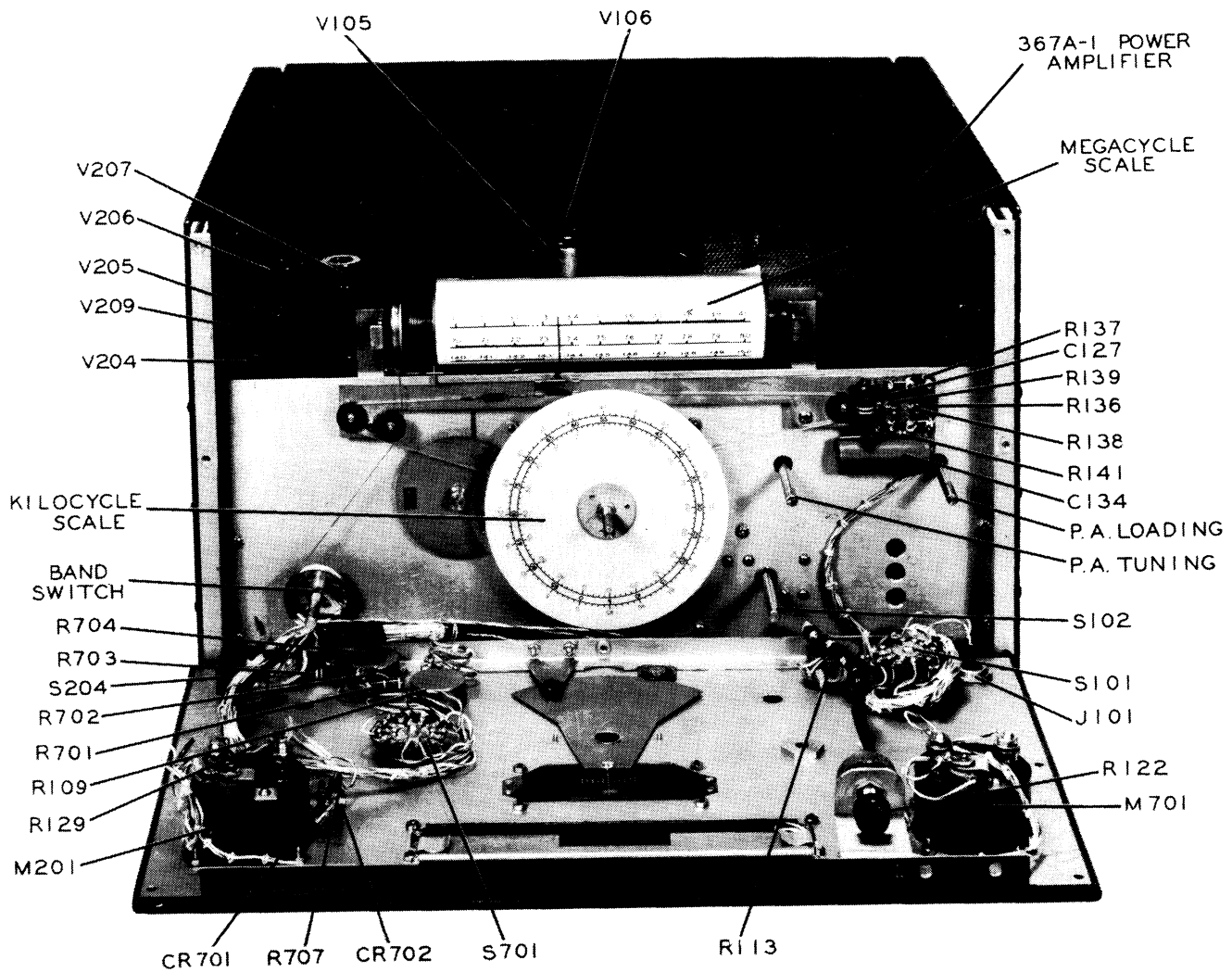


Figure 6-3. Exciter/Power Amplifier, Front Panel, Internal View

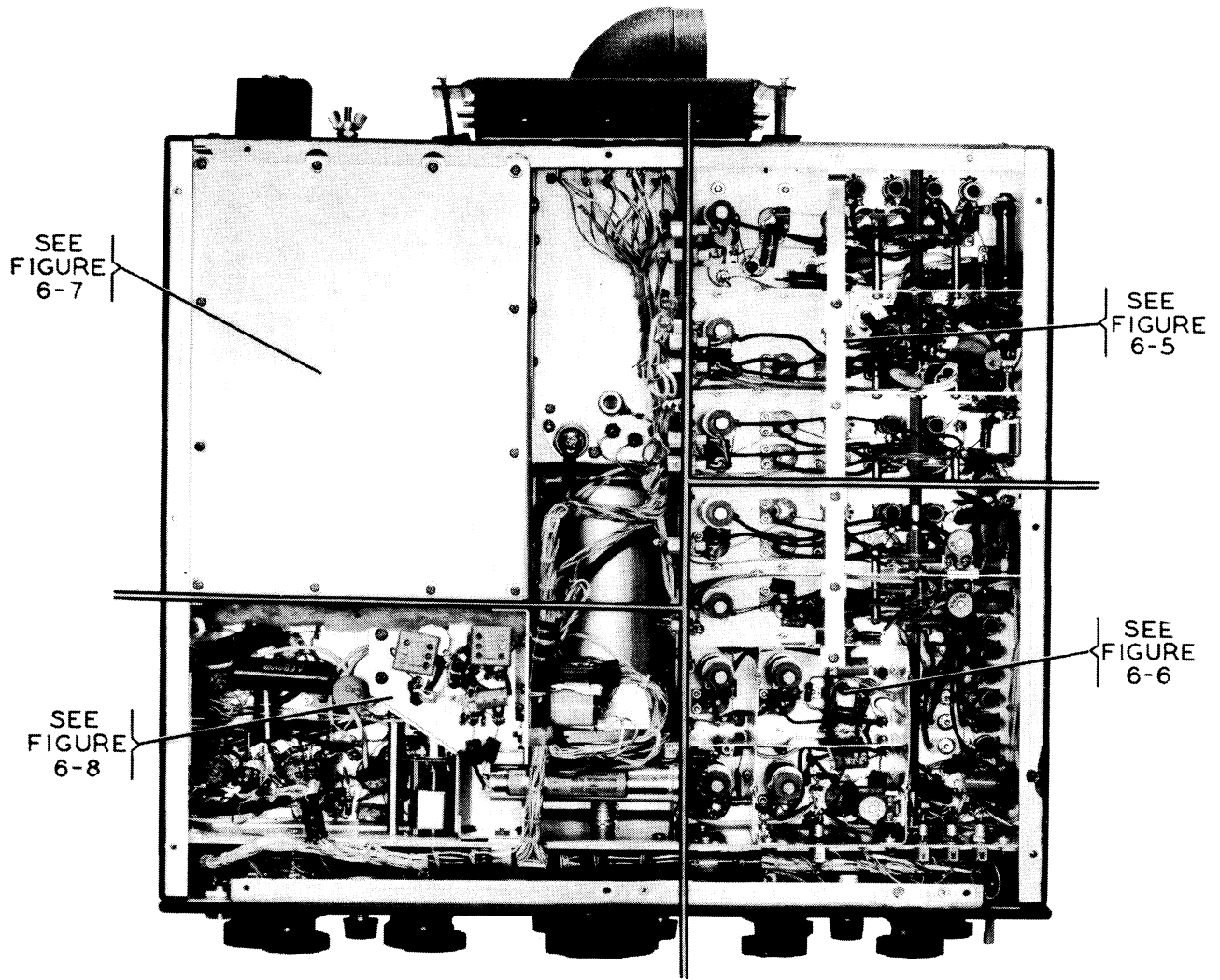


Figure 6-4. Exciter/Power Amplifier, Bottom View, Cover Removed

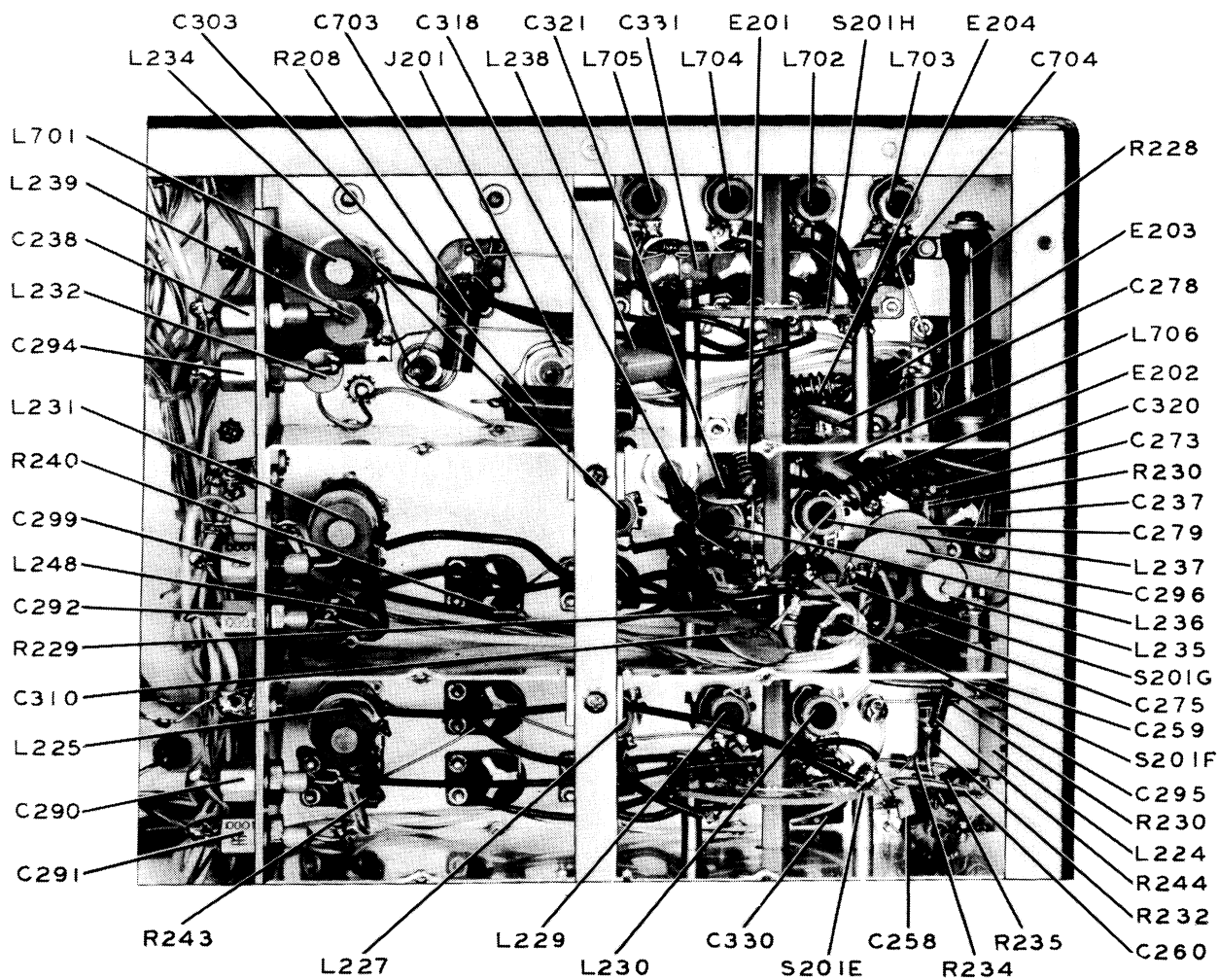


Figure 6-5. Exciter, Bottom View, Upper Right Quarter

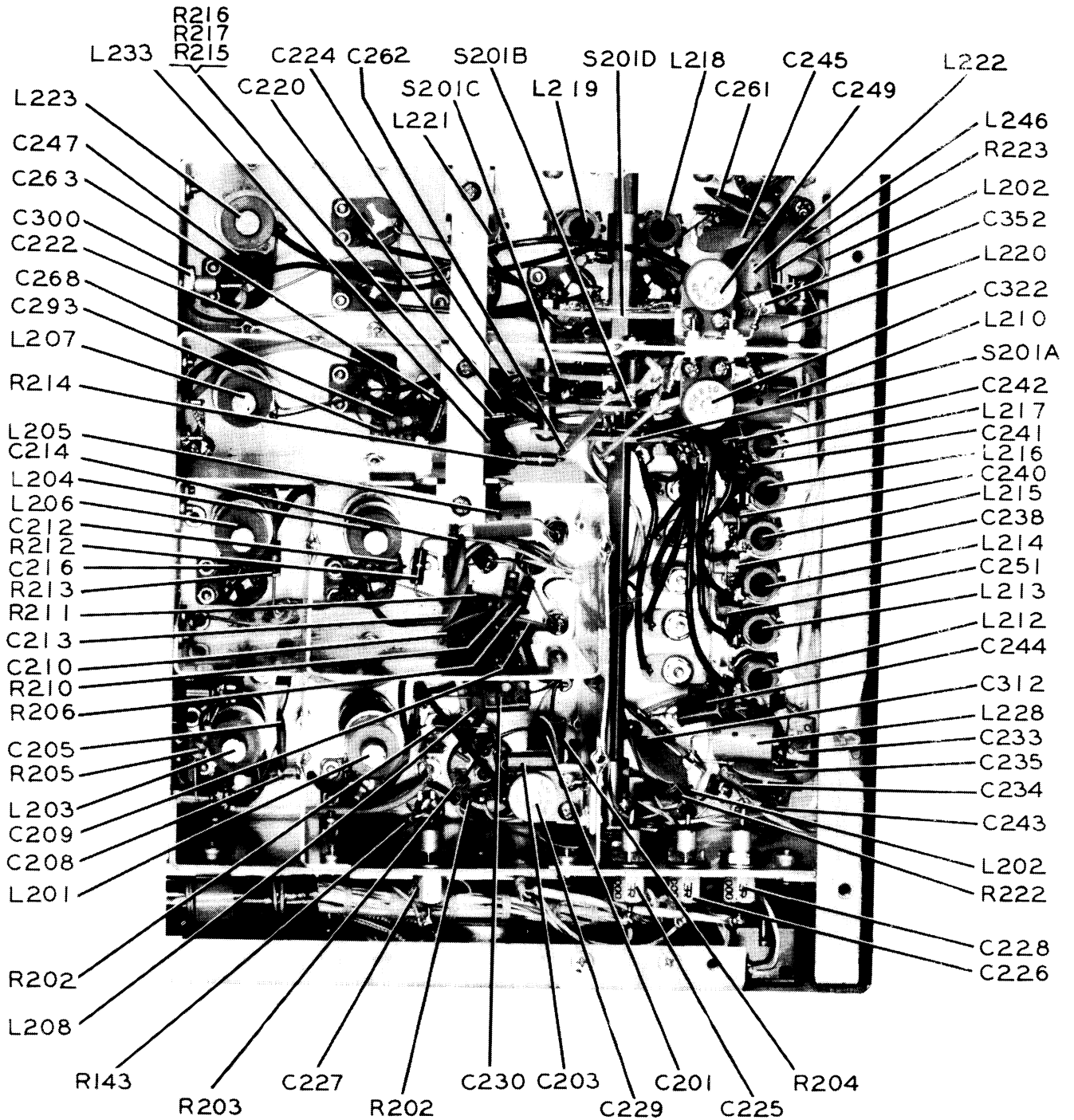


Figure 6-6. Exciter, Bottom View, Lower Right Quarter

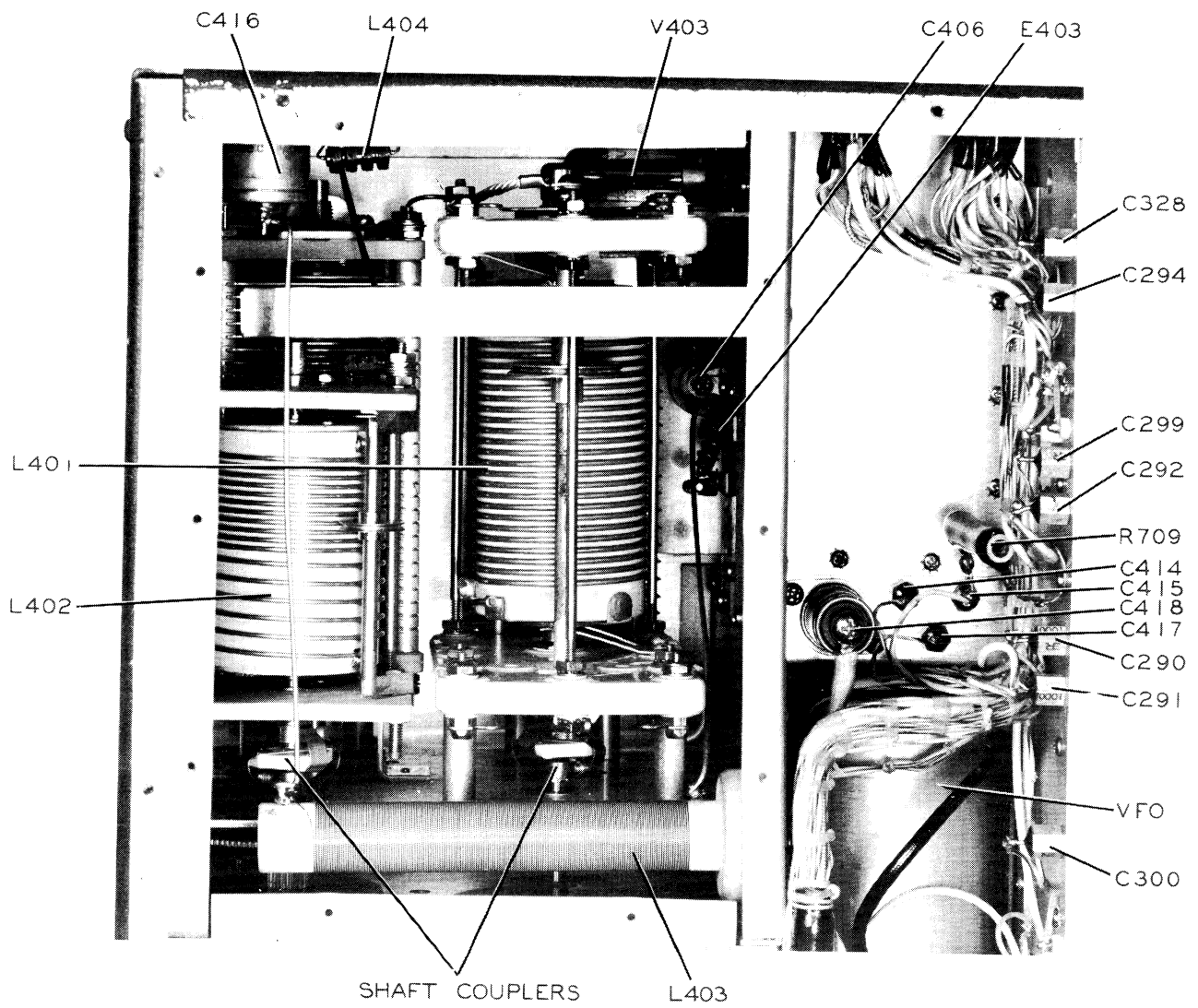


Figure 6-7. Exciter, Bottom View, Upper Left Quarter, Including Power Amplifier

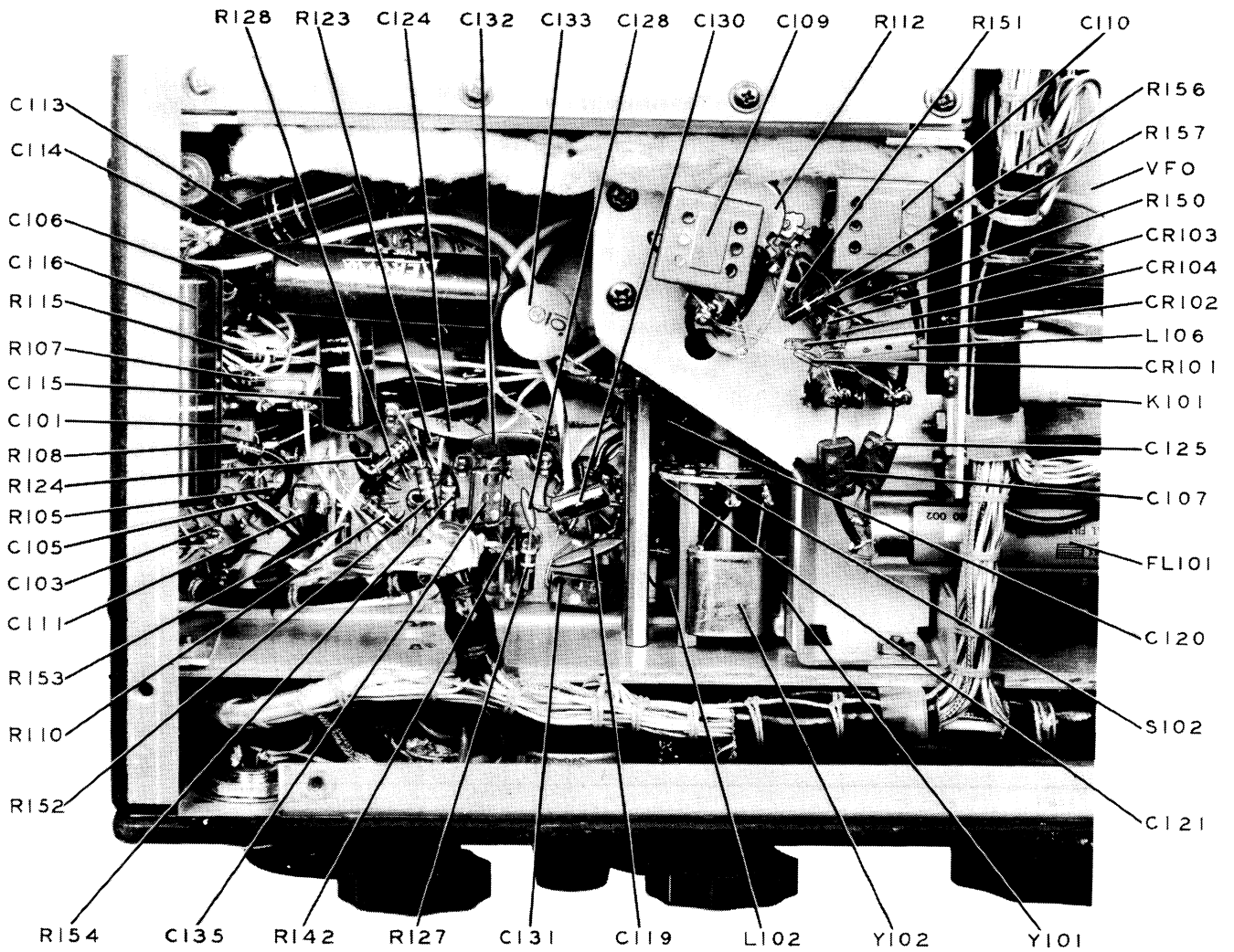


Figure 6-8. Exciter, Bottom View, Lower Left Quarter

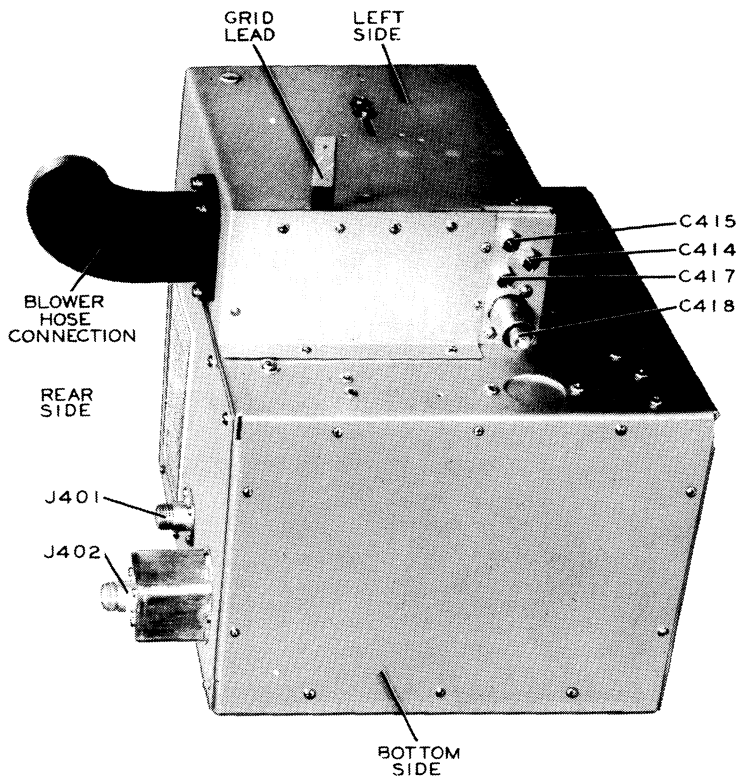


Figure 6-9. Power Amplifier, Bottom-Rear-Left View

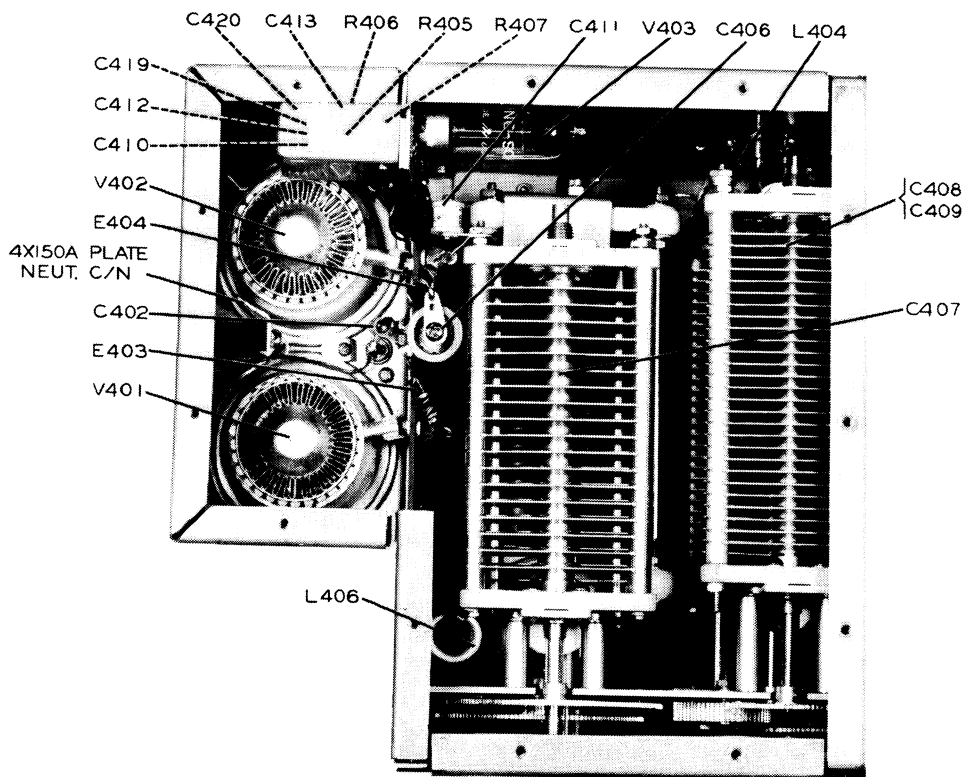


Figure 6-10. Power Amplifier, Top View, Cover Removed

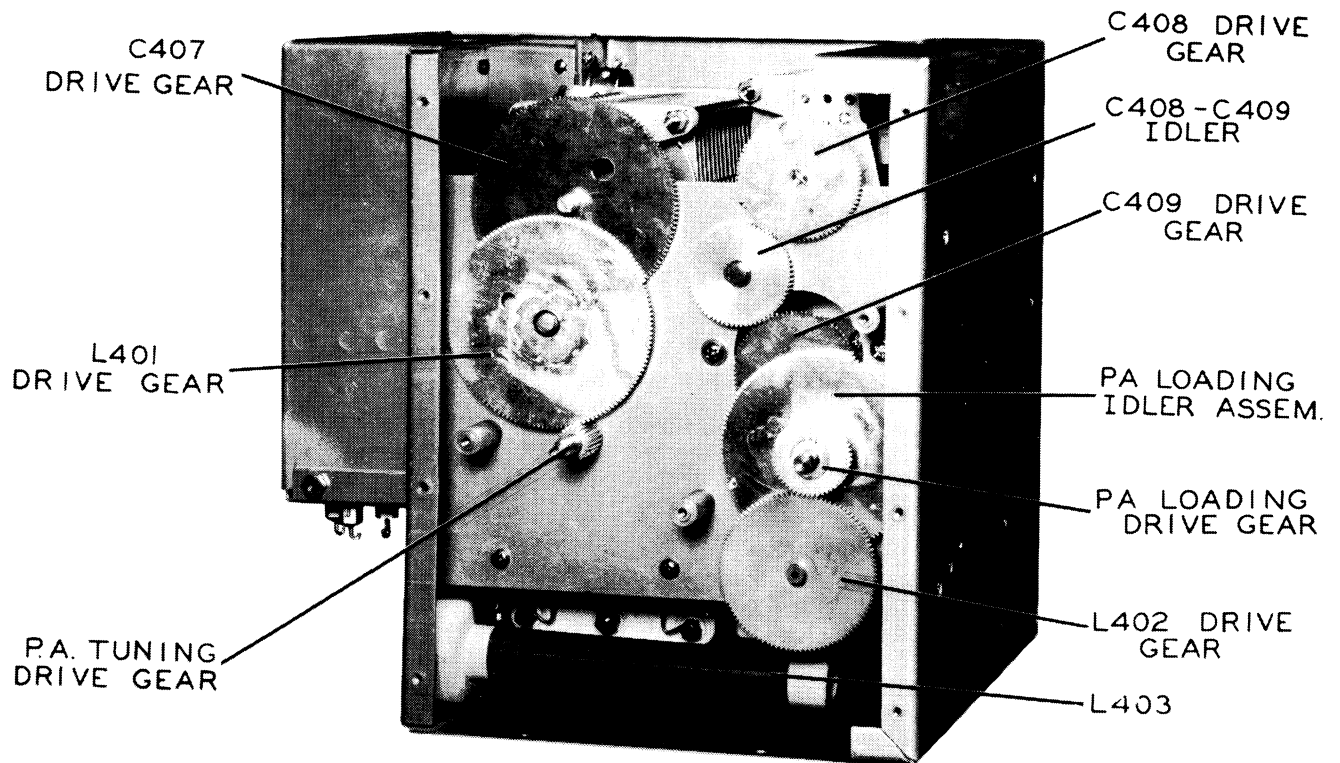


Figure 6-11. Power Amplifier, Front View, Cover Removed

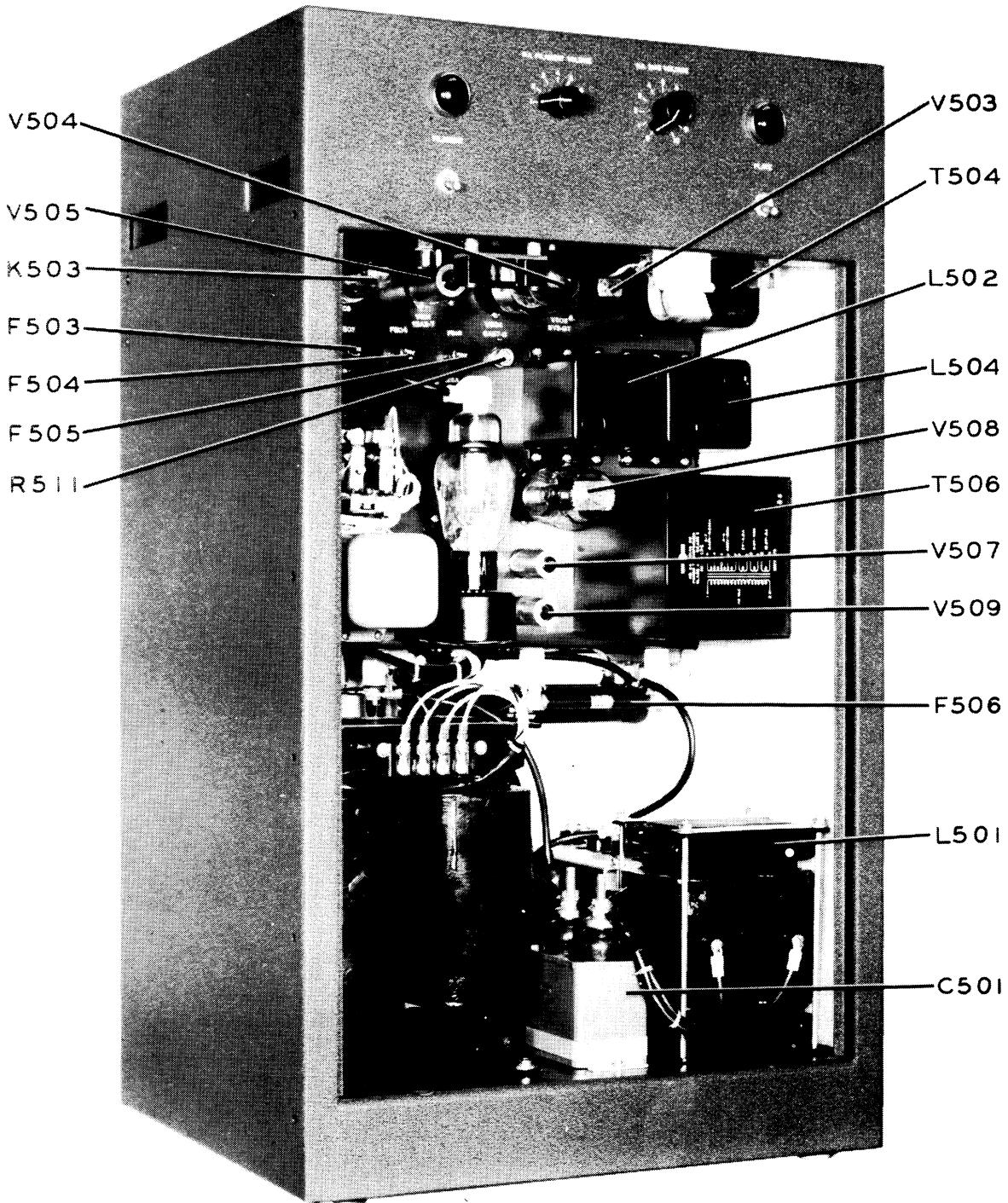


Figure 6-12. Power Supply, Front Left Oblique View, Panel Removed

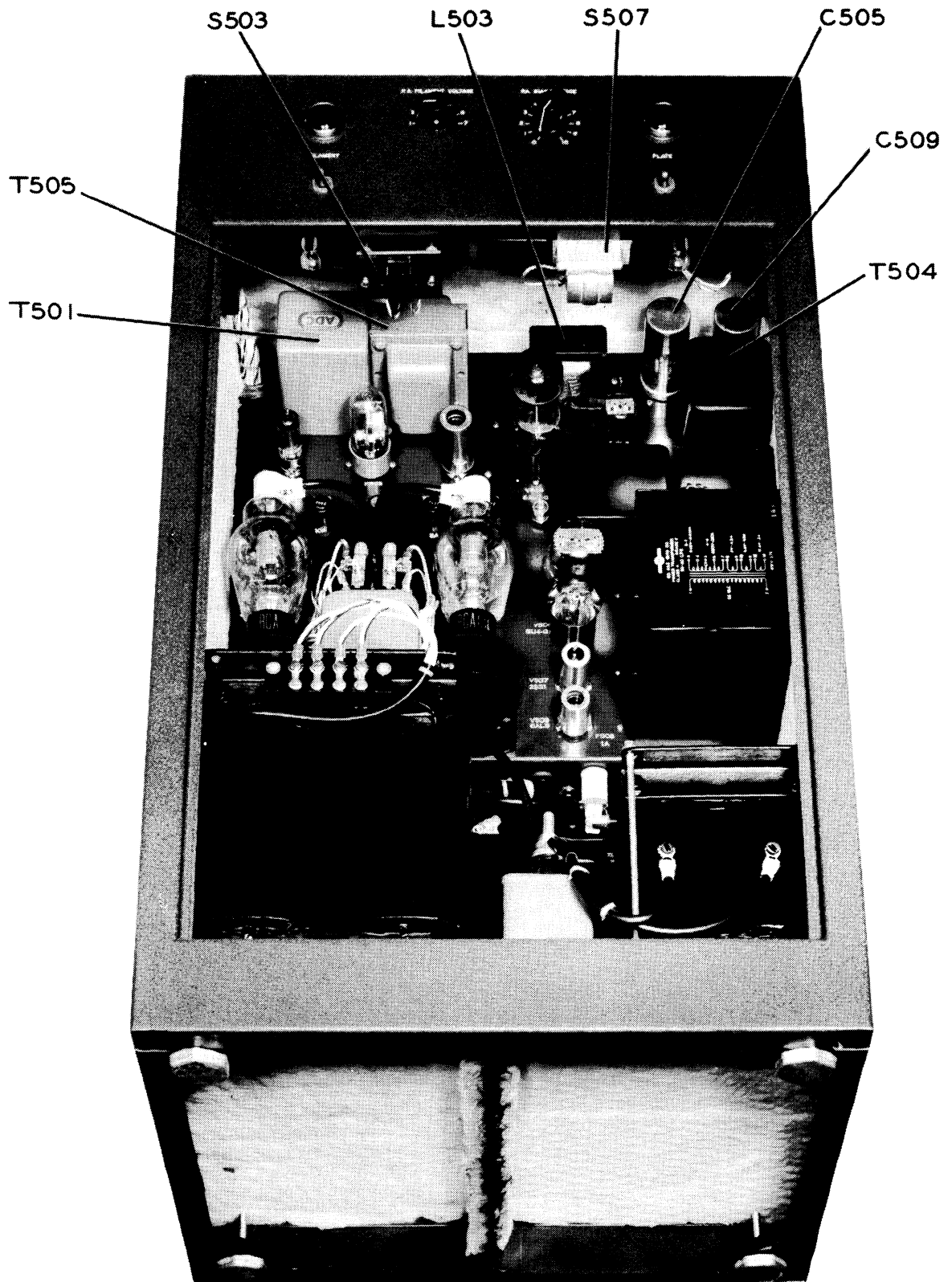


Figure 6-13. Power Supply, Front Vertical Oblique View, Panel Removed

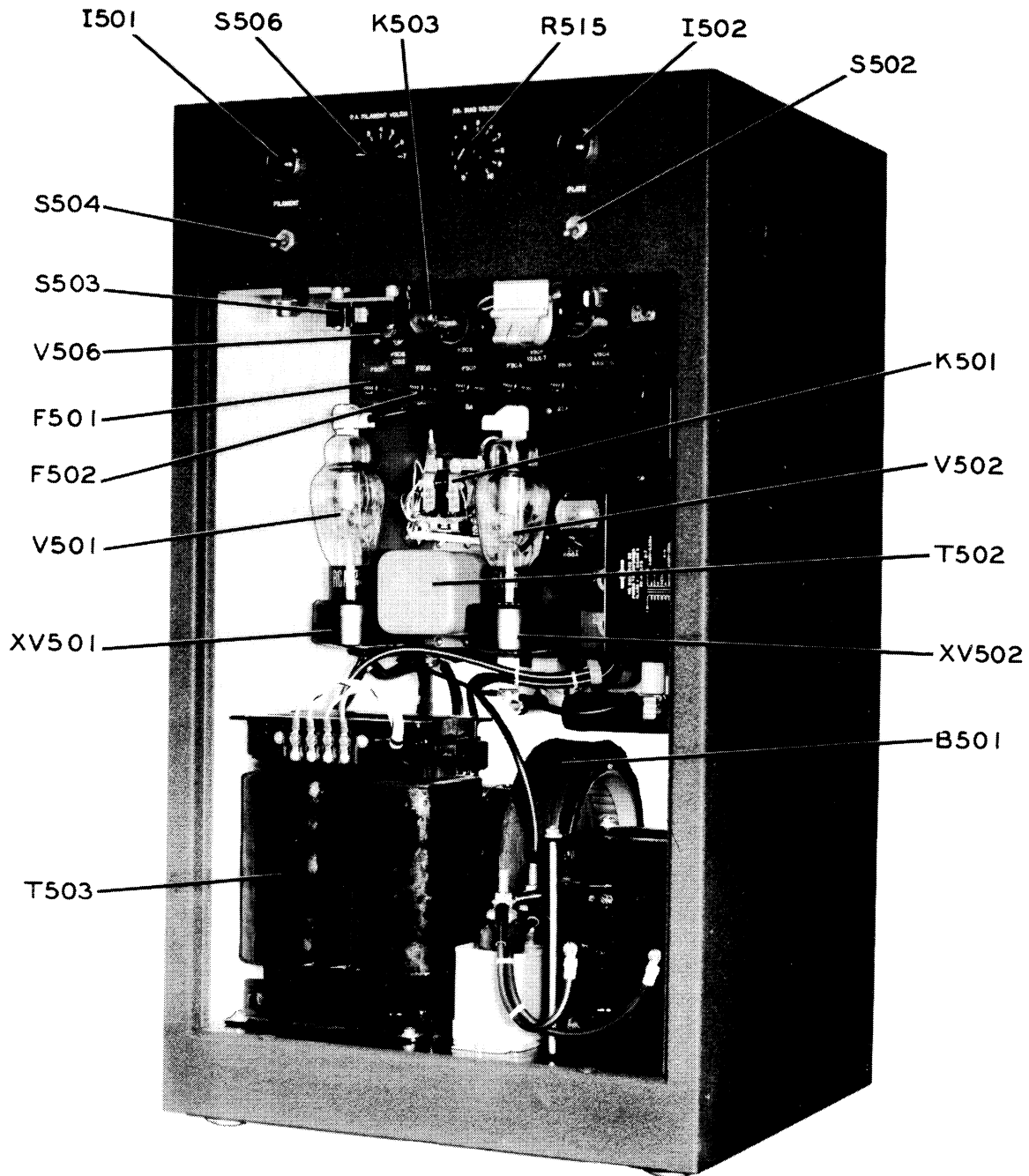


Figure 6-14. Power Supply, Front Right Oblique View, Panel Removed

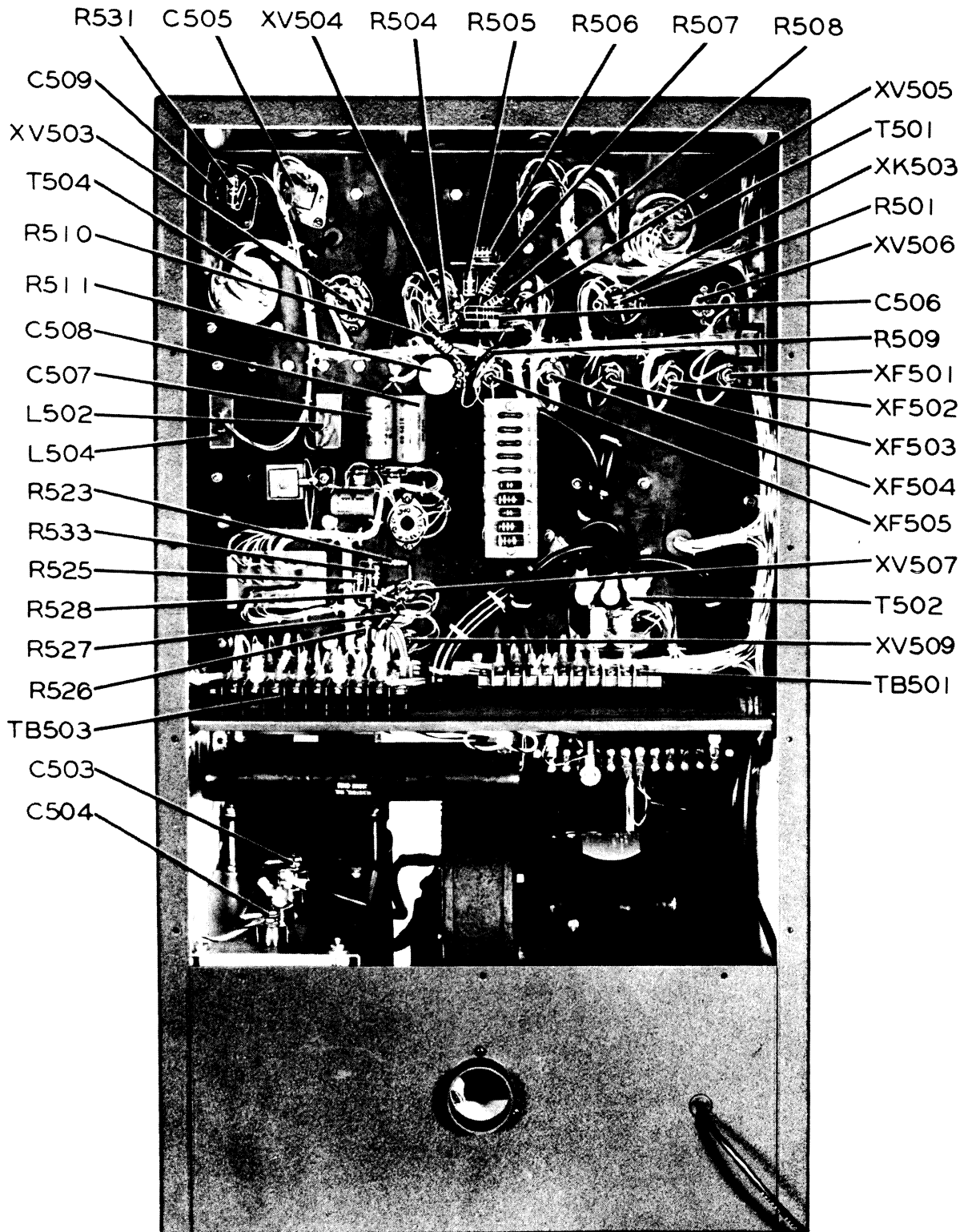


Figure 6-15. Power Supply, Rear View, Panel Removed

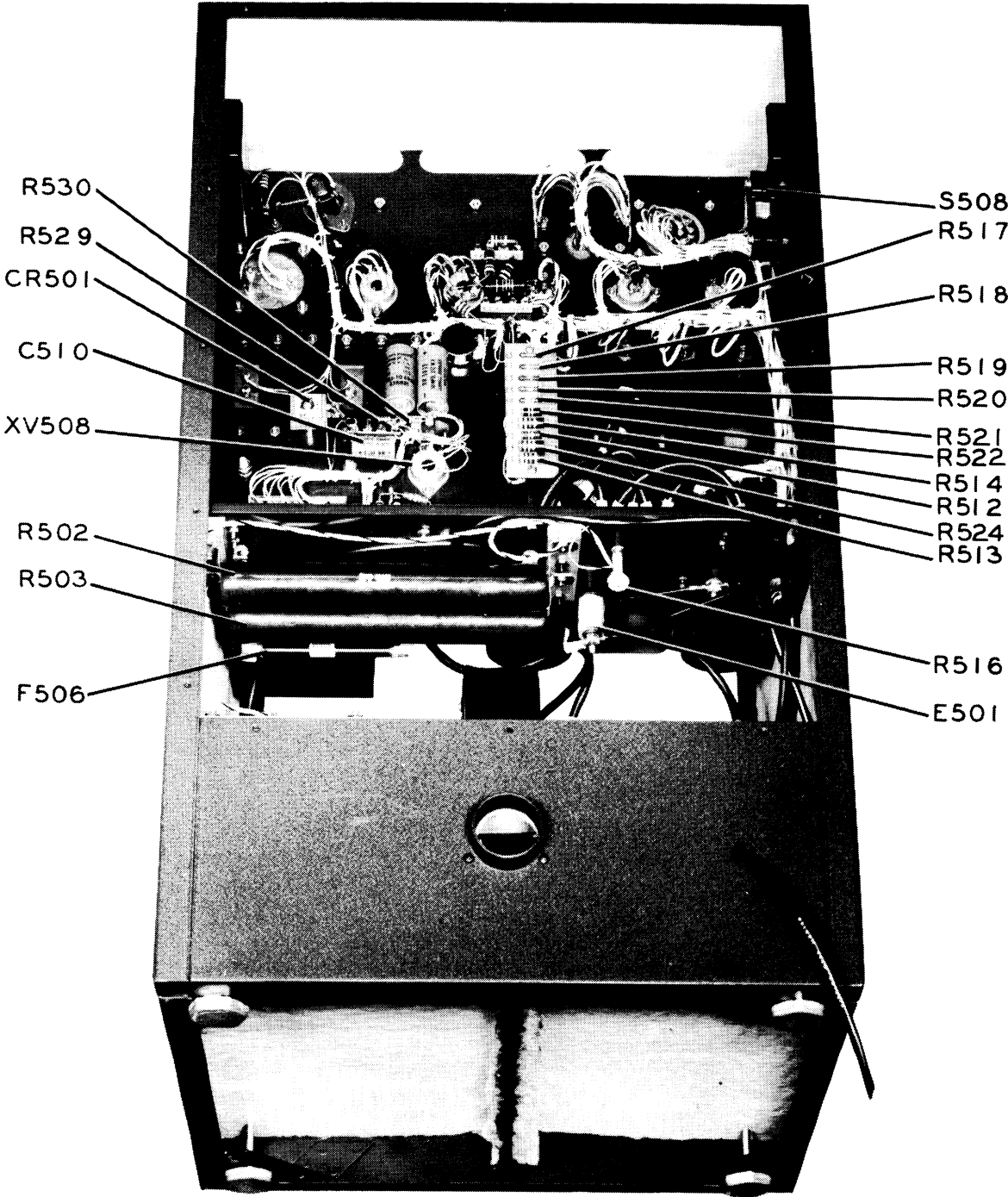


Figure 6-16. Power Supply, Rear Oblique View, Panel Removed